

Specification

- External and Adjustable End Switches
- Integrated Overcurrent Protection
- Acme Screw and Ball Screw for Option
- Stainless Steel Shaft
- IP66 Protection
- CE Certified



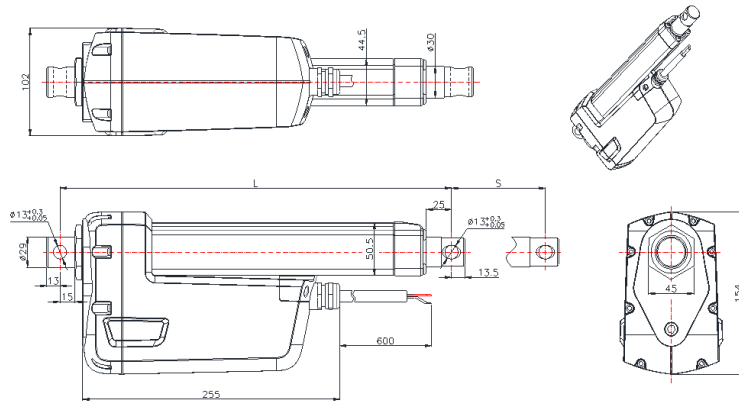
Model		OLA905G
Input Voltage	(V DC)	12 or 24
Stroke Length	(mm)	50 to 1,000
Load Capacity	(N)	Max 12,000
Travel Speed	(mm/s)	6.5 to 38
Limit Switch		External and Adjustable
Duty Cycle		25% (4 min continuous moving)
IP Rating		IP66
Operating Temp.	(°C)	-40 to 65
Cable Length	(mm)	600
Signal Feedback		Potentiometer or Hall Sensor

1. Load/ Stroke/ Speed

Code	Gear Ratio	Dynamic Load (N)	Self-lock (N)	Speed (mm/s) ±10%		Current (amp)				Max. Stroke w/o Sensor (mm)	Max. Stroke w/ Hall Sensor (mm)	Max. Stroke w/ Potentiometer (mm)
				Free Load	Full Load	12v		24v				
						Full Load	Free Load	Full Load	Free Load			
A	40:1	12,000	15,000	6.5	4.5	20.0	4.0	12.0	2.4	1,000	1,000	175
B	30:1	11,000	12,000	8.5	6.0	20.0	4.0	12.0	2.4	1,000	1,000	175
C	20:1	7,500	9,000	13.0	9.0	20.0	4.0	12.0	2.4	1,000	1,000	175
E	40:1	10,000	12,000	13.0	7.0	20.0	4.0	12.0	2.4	1,000	1,000	350
F	30:1	7,000	8,000	17.0	9.5	20.0	4.0	12.0	2.4	1,000	1,000	350
G	20:1	5,000	6,000	25.0	14.0	20.0	4.0	12.0	2.4	1,000	1,000	350
I	40:1	6,500	8,000	20.0	11.0	20.0	4.0	12.0	2.4	1,000	1,000	530
J	30:1	4,500	5,500	25.0	13.0	20.0	4.0	12.0	2.4	1,000	1,000	530
K	20:1	3,200	4,000	38.0	24.0	20.0	4.0	12.0	2.4	1,000	1,000	530

* The above data are typically made with a stable power supply and an ambient temperature.

2. Overall Dimension



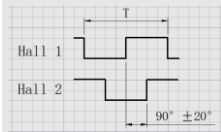
S (mm)	L (mm)	Formula
50	315	L= 315 minimum
100	315	
150	350	
200	400	L= S+ 200 mm
250	450	
300	500	
350	600	
400	650	
450	700	L= S+ 250 mm
500	750	
550	800	
600	850	
650	950	
700	1000	
750	1050	
800	1100	L= S+ 300 mm
850	1150	
900	1200	
950	1250	
1000	1300	

S: Stroke Length
L: Min Mounting Length

Optional Parts

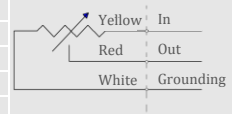
1 Hall Sensor Feedback

Code	Resolution (pulse/mm)	Remark
A	3.63	a. 4 pairs of poles
B	2.70	b. Two pulse waves with 90° ±20° difference.
C	1.74	
E	1.81	
F	1.35	
G	0.87	
I	1.21	
J	0.90	
K	0.58	



2 Potentiometer Feedback

Code	Resolution (kΩ/mm)	Max Stroke (mm)	Remark
A	0.06	175	a. Start with 1±0.1kΩ
B	0.06	175	b. Resistance value may vary with stroke length within 1-11kΩ.
C	0.06	175	
E	0.03	350	
F	0.03	350	
G	0.03	350	
I	0.02	530	
J	0.02	530	
K	0.02	530	



Ordering Key :

Mode	OLA905G	-	Stroke	-	Voltage	-	Code	-	Sensor
Ex.	OLA905G	-	530	-	12	-	I	-	P*

EX. Specification

- max. Dynamic Load 6,500N
- Speed 20.0 mm/sec (Free load)/ 11.0 mm/sec (Full load)
- Potentiometer Feedback *H-Hall Sensor/ Blank- No option