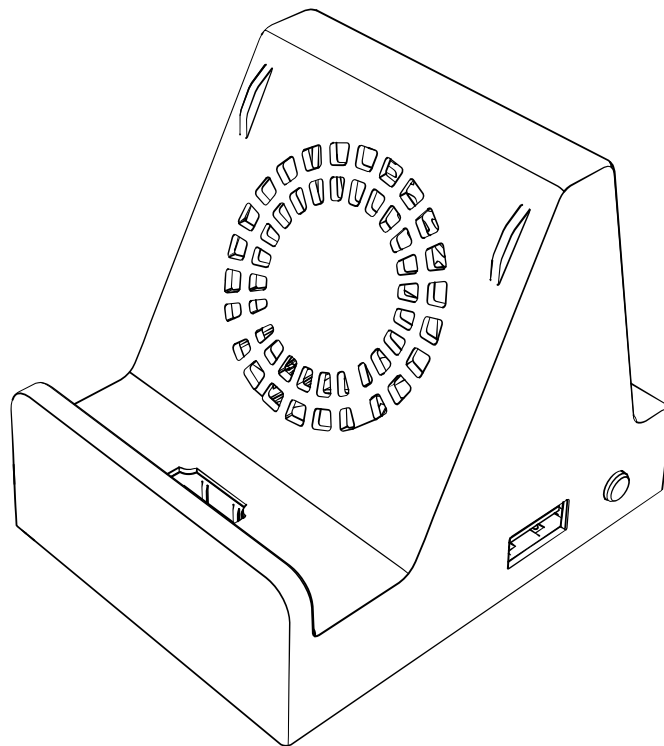




PK-DOCK-1

mmWave Transmitter Dock



Manual

V 1.1

mmWave Transmitter Dock (PK-DOCK-1) Manual

Revisions:

Version	Date	Revision
1.0	2024.04.28	Initial release
1.1	2024.05.15	+ Added: Support PeakDo Handheld cooling + Added: Precaution for new version transmitter to support Remote Touch Control

Table of contents

Introduction.....	4
Technical Parameters.....	4
Product Overview.....	5
Packaging & Accessories.....	5
Interfaces and Button(s).....	5
Setup.....	6
Video Input.....	6
HDMI input.....	6
Type-C DP input.....	7
Install a mmWave transmitter.....	7
(Optional) Mount on a tripod.....	8
(Optional) Cooler/Holder for PeakDo Handheld.....	8
USB hub.....	8
Instructions for use.....	9
Power on/off.....	9
Remote wake-up the dock and computer.....	9
Condition of computer remote wake-up.....	9
USB hub.....	9
Troubleshooting.....	10
Hazardous substances.....	13
Warranty.....	14
Contact Us.....	14

Introduction

This product is designed to provide external cooling for the PeakDo mmWave transmitter (non-active cooling version) with additional USB-C 3.0 hub functionality.

The main functions of this product are:

- Effective cooling of the PeakDo mmWave transmitter by 20 ° C (laboratory environmental test);
- Cooling for PeakDo Handheld;
- PWM silent fan, low working noise;
- Supports a wide range of PeakDo mmWave transmitters;
- Intelligent hibernation. The dock will automatically sleep after the mmWave transmitter is not working for a period of time;
- Work with the PeakDo handheld (latest version only) to automatically wake up the dock when handheld is powered on;
- When the dock is turned on (press the power button to turn on, or wake up by the handheld), the computer connected (via USB) will be automatically woken up;
- Can work as a USB hub.

Technical Parameters

Product	mmWave Transmitter Dock (PK-DOCK-1)
HDMI	HDMI 1.4, max to 4K/30Hz、1080P/120Hz
USB Type-C	USB 2.0, USB 3.1 Gen 1
USB Type-A	USB 2.0 × 2
Working Power	5V/2A, including working power of the mmWave transmitter
Working Noise	18 dB
Auto-sleep Duration	5 minutes
Dimensions	86mm × 76mm × 71mm
Net Weight	88 g

Product Overview

Packaging & Accessories

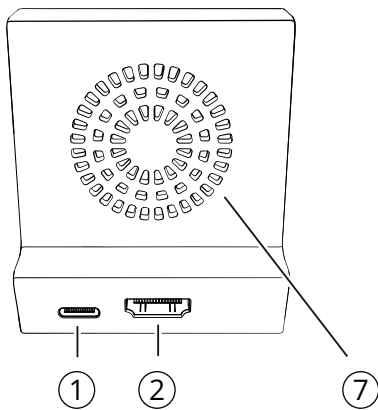
This package contains:

- mmWave transmitter dock (1 pc).

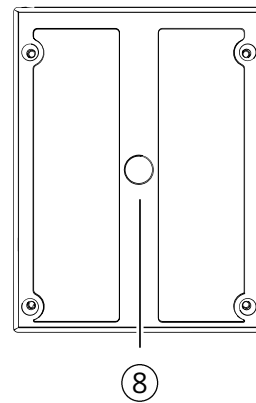
Note This product does not include cables and mmWave transmitter.

Interfaces and Button(s)

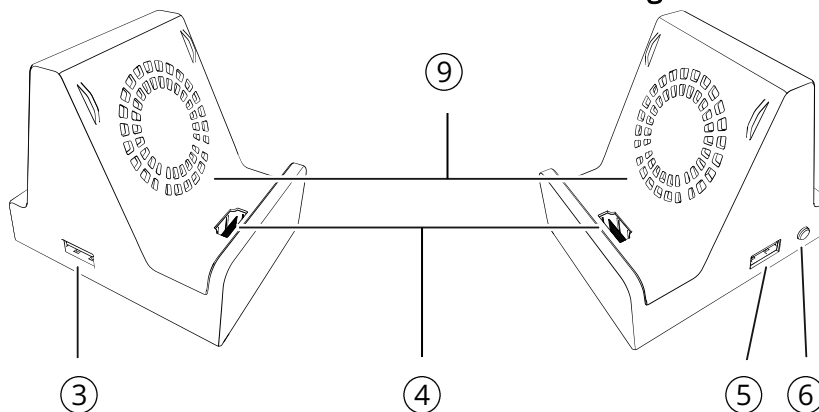
Back view



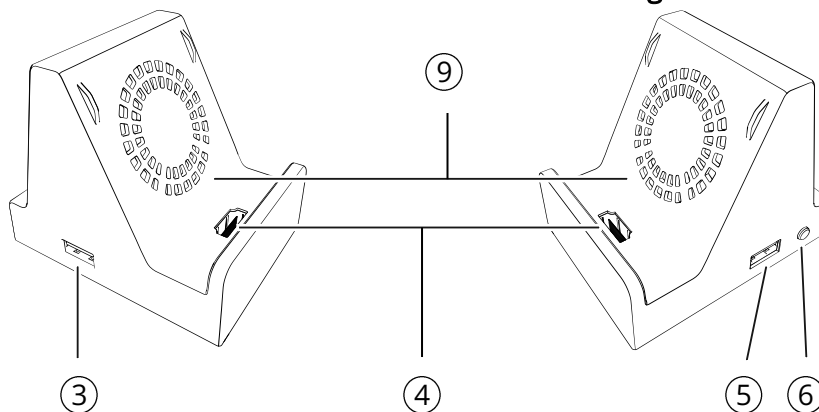
Bottom view



Left view



Right view



- ① USB 3.1 Gen 1 ② HDMI input ③⑤ USB-A ④ HDMI output
⑥ Power Button/LED ⑦ Air inlet ⑧ 1/4 screw hole ⑨ Air outlet

Setup

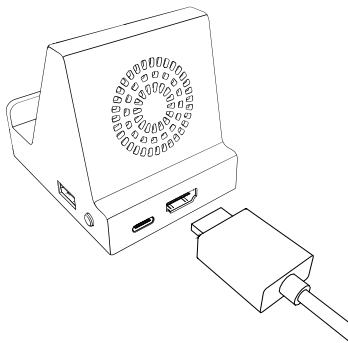
Video Input

This product supports HDMI and Type-C DP video input, and the connection methods and cable requirements of different input sources are slightly different.

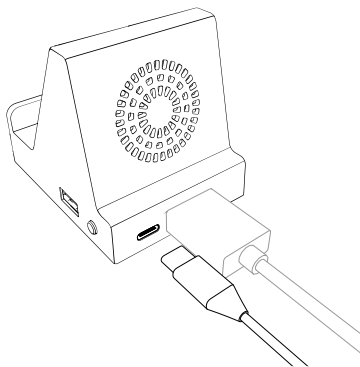
Note Users need to prepare the corresponding connection cables by themselves.

HDMI input

Please prepare 1 HDMI cable and 1 USB cable (see the section "[Technical Parameters](#)"). The HDMI cable is used to transmit the video signal, the USB cable is used to power the dock and mmWave transmitter, also used for the PeakDo handheld's remote touch control.



1. Connect the HDMI cable to the HDMI port on the back of the dock, and connect the other end to the video source (such as game console, computer, set-top box, etc.).

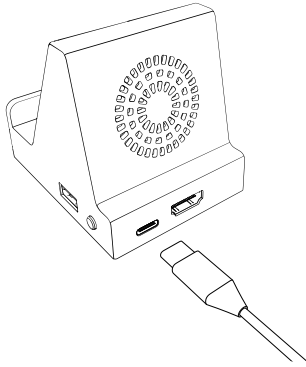


2. Connect the USB cable to the USB Type-C port on the back of the dock, and connect the other end to the power supply port (such as charger, computer, game console, tablet, etc.).

Note If you want to support remote touch control of the PeakDo handhelds, the USB cable needs to be connected to a Windows computer or Android tablet

Type-C DP input

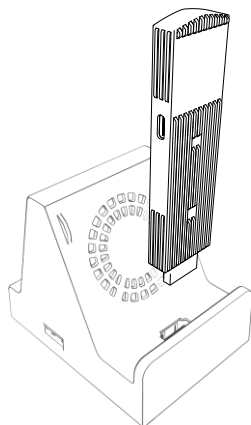
Please prepare 1 full-featured USB Type-C cable that supports the DP protocol (see the section "[Technical Parameters](#)") for video transmission, remote touch control support of PeakDo handheld, and power the dock itself and mmWave transmitter.



1. Connect the USB cable to the USB Type-C port on the back of the dock, and connect the other end to the Type-C DP output port of a video source (such as a game console, computer, set-top box, etc.).

Note If you want to support remote touch control, the USB cable needs to be connected to a Windows computer or Android tablet.

Install a mmWave transmitter

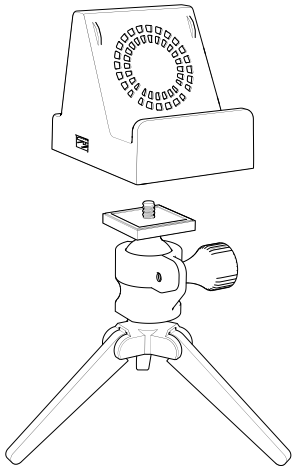


1. Plug the mmWave transmitter (from top to bottom) into the HDMI output port on the front;
2. The mmWave transmitter is powered by a dock and does not require an external power supply.

Note Earlier versions of mmWave transmitter may require a USB cable connect from the transmitter's power port to the dock's USB-A port to enable remote touch control.

Note For new versions of mmWave transmitter, cannot connect from the transmitter's power port to the dock's USB-A port, or computer may report USB conflicting.

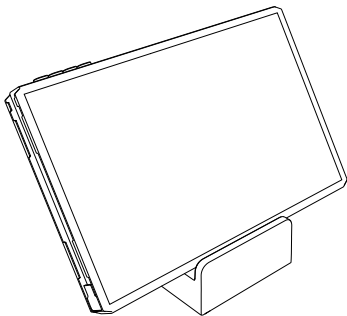
(Optional) Mount on a tripod



The dock can be mounted on a tripod with a gimbal for easy adjustment of the orientation of the mmWave transmitter at any time.

1. When installing, screw the tripod fixing screws into the screw hole at the bottom of the dock;
2. When in use, adjust the gimbal as needed to get the best connection effect.

(Optional) Cooler/Holder for PeakDo Handheld



In order to cool and/or hold PeakDo handheld, place it directly on the dock.

USB hub

This product provides USB hub function (Type-A ports on both sides), user can use it as needed.

Instructions for use

Power on/off

1. a) Press and hold the power button for 2 seconds when the power is off, and the LED indicator of the dock will light up and the color will be red,
or b) Turn on a PeakDo handheld (that supports remote wake-up) will automatically wake up the dock nearby
2. After powering on, the fan inside the dock rotates, and the mmWave transmitter starts to power on
3. When the mmWave transmitter is connected, the LED indicator of the dock turns solid green
4. When the mmWave transmitter is disconnected, the dock LED indicator turns solid red
5. Press and hold the power button for 2 seconds to turn off the dock when the power is on, the fan stops, the LED indicator of the dock goes off, and the power supply to the mmWave transmitter is stopped
6. After mmWave connection disconnected for a while (See "[Technical parameters](#)" Section), the dock automatically power off

Remote wake-up the dock and computer

PeakDo handheld that support remote wake-up will automatically wake up the dock nearby when powered on.

At the same time, if the computer is connected to the dock via USB and certain conditions are met, the computer will also be woken up when the dock is turned on.

Condition of computer remote wake-up

- Support Windows and macOS, the system is in a sleep state
- When the computer is sleeping, it is required to continue to power the dock through USB, otherwise the dock will not wake up and turn on
- Depending on your system settings, your computer may go into Hibernate or Safe Sleep state after a period of sleep. In Hibernate/Safe Sleep state, the computer may not wake up even though the dock can be woken up
 - ◆ Note: When the computer is sleeping, the power indicator usually flashes, and when it is sleeping, the power indicator usually turns off

USB hub

Even if the dock is turned off, the USB hub is still available.

Troubleshooting

Q-01: Is the USB port of my laptop compatible with the dock?

A: The USB of the general notebook can provide 5V/2A power supply capacity, which can meet the working requirements of the dock.

Q-02: When using USB Type-C DP to transfer video, the video is not displayed

A: Please check whether the USB cable is a full-featured data cable and whether the connected host supports Type-C DP video output function.

Q-03: The computer can't wake up remotely

A: Please refer to the section "[Remote Wake-up of the Dock and Computer](#)" to confirm that the system meets the wake-up conditions.

This can be checked in the following ways:

- 1) Prepare a PeakDo handheld that supports remote wake-up. Turn off the handheld;
- 2) Connect the dock to the computer via USB, press and hold the power button of the dock for 2 seconds, confirm that the dock can power on normally;
- 3) Press and hold the power button of the dock for 2 seconds to turn off the dock;
- 4) Power on the PeakDo handheld (press and hold the handheld power button). After the handheld is started (the startup time is about 5~10 seconds), the dock will be automatically woken up (the power light of the dock will turn on, and the fan will start working);

The above steps are used to confirm that the power supply of the dock is normal, the handheld supports remote wake-up, and the dock correctly supports wake-up.

- 5) Manually sleep computer:
 - For Windows, click on the "Start" button, then click the "Power" menu, and select the "Sleep" option;
 - For macOS, click on the Apple menu and select the "Sleep" option;
- 6) If the dock is turned off, press and hold the power button for 2 seconds to confirm the dock can be turned on.
- 7) If the computer cannot be woken up after a long period of sleep, it may be in Hibernate/Safe Sleep state. In Hibernation/Safe Sleep state, remote wake-up is not possible.

Q-04: USB hub is not working

A: Please check whether the USB cable is connected to the host computer and whether the USB cable has data transfer function.

Q-05: The V3 console cannot wake up the game console (PS5/Xbox, etc.) remotely

A: Currently, the dock only supports waking up Windows and Mac computers, and does not support waking up game consoles for the time being.

Q-06: The dock fan is still spinning after PeakDo handheld powered off

A: After PeakDo handheld power off, the dock will continue to work for a while (see `Auto-sleep Duration` in "[Technical parameters](#)"). The dock will continue to work before auto-sleep if there is mmWave connection request.

Q-07: How do I connect a computer without a Type-C DP port?

A: If your computer has an HDMI port, you can also connect to the dock via HDMI, please refer to the "[HDMI Input](#)" section for details.

Q-08: Remote touch control of PeakDo handheld is not working

A: To support remote touch control, please confirm:

- The handheld supports remote touch control
- The dock is connected to a system that supports remote touch control (including Windows computer, Android phone, and Android tablet) via a USB cable
- Earlier versions of mmWave transmitter may require a USB cable connect from the transmitter's power port to the dock's USB-A port to enable remote touch control
- For new versions of mmWave transmitter, cannot connect from the transmitter's power port to the dock's USB-A port, or computer/console may report USB conflicting.

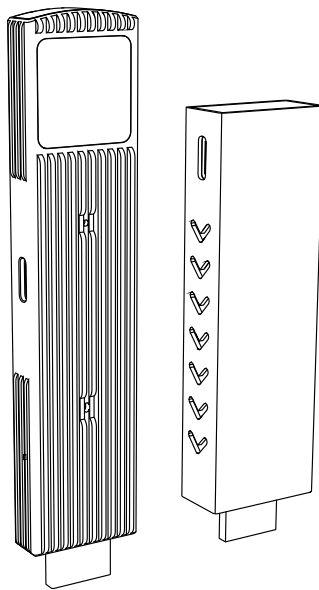
Q-09: My computer keeps popup notification of USB device plug in; My Ps4/PS5 keeps

popup notification of controller connected

A: Refer to Q-08 and note that when using the new version of the mmWave transmitter, do not connect the USB cable from the power supply port of the transmitter to the USB-A port of the base.

Q-10: How to distinguish between the old and new versions of mmWave transmitters?

A: The shell of the new version transmitter has heat sink slots;
The old version one has heat dissipation hole instead of heat sink slot;
The comparison between the appearance of the new and old versions is as follows:



New version

Old version

Hazardous substances

Part name	Hazardous substances					
	lead (Pb)	mercury	cadmium (Cd)	Hexavalent chromium Cr(VI)	Polybrominated diphenyl ethers (PBDE)	Polybrominated biphenyls (PBB)
Transmitters	×	○	○	○	○	○
receiver	×	○	○	○	○	○
Cable	×	○	○	○	○	○

This form has been prepared in accordance with SJ/T11364.

○ : Indicates that the content of the hazardous substance in all homogeneous materials of the part is below the limit requirements specified in GB/T 26572.

×: It means that the content of the hazardous substance in at least one of the homogeneous materials of the part exceeds the limit requirements specified in GB/T 26572 and there is no mature alternative in the industry at present, which meets the environmental protection requirements of the EU RoHS directive.



The number in this logo indicates that the service life of the product in normal use is 10 years.

Some parts may also have an environmental service life label, which is based on the number in the label. Depending on the model, the product may not include all the above parts except the transmitter and receiver, please refer to the actual sales product. According to the definition in the Administrative Measures for the Restriction of the Use of Hazardous Substances in Electrical and Electronic Products.

The environmental protection use period of electrical and electronic products refers to the period during which the harmful substances contained in the electrical and electronic products will not leak or mutate, and will not cause serious pollution to the environment or serious damage to other personal and property when the user uses them normally in accordance with the product instructions.

Warranty

PeakDo guarantees that all hardware products and accessories are covered by a one-year warranty from the date of purchase, and can only be enjoyed by purchased from the official PeakDo store, official website or authorized reseller.

Equipment failure caused by unauthorized private disassembly of the device is not covered by the warranty.

There is no guarantee for normal wear and tear, and equipment failures caused by improper use are not covered by the warranty (drops, water immersion, etc.).

Contact Us

Email: sales3@peakdo.com

WhatsApp: 8619168834772