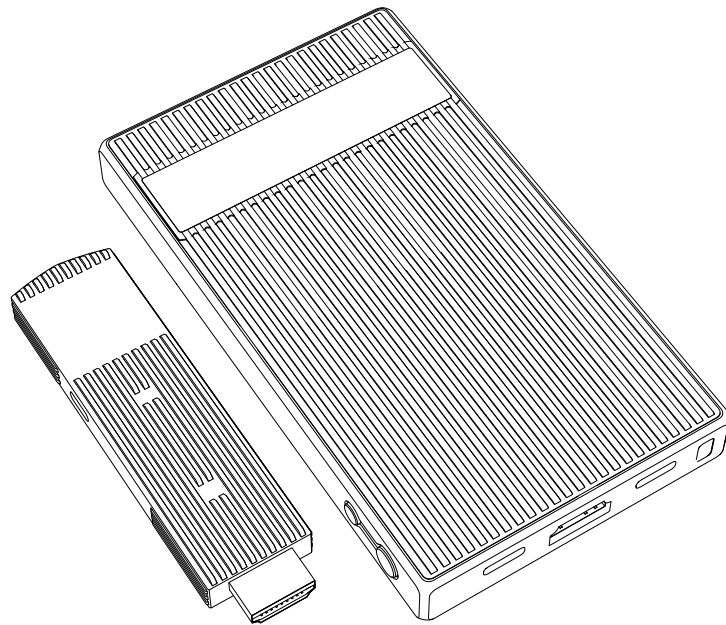




P4/P5 mmWave wireless projector

PK-P4-TX/PK-P4-RX

PK-P5-TX/PK-P5-RX



User manual

V 3.0

Table of contents

PRODUCT INTRODUCTION	3
SPECIFICATIONS	3
PORTS	4
TRANSMITTER	4
RECEIVER	5
DIRECTIONS FOR USE	6
CONNECT THE TRANSMITTER	6
<i>Connect with the camera</i>	6
<i>Connect with Switch game consoles</i>	6
<i>Connect with a computer</i>	7
<i>Connect with the computer for long-distance projection</i>	7
<i>USB auxiliary power supply connection</i>	7
SETUP THE RECEIVER	7
MMWAVE INDICATORS	8
PRECAUTIONS	9
FAQS	10
WARRANTY	11
CONTACT US	11

Product Introduction

The mmWave Wireless Projector uses the 60GHz signal frequency band for transmission, and supports the maximum 1080P@60Hz (P4) and 4K@30Hz/1080P@120Hz (P5) lossless video quality, delay <3.97ms (theoretical), and the max transmission distance up to 30 meters.

This manual applies to the following products:

- P4: PK-P4-TX (transmitter) / PK-P4-RX (receiver)
- P5: PK-P5-TX (transmitter) / PK-P5-RX (receiver)

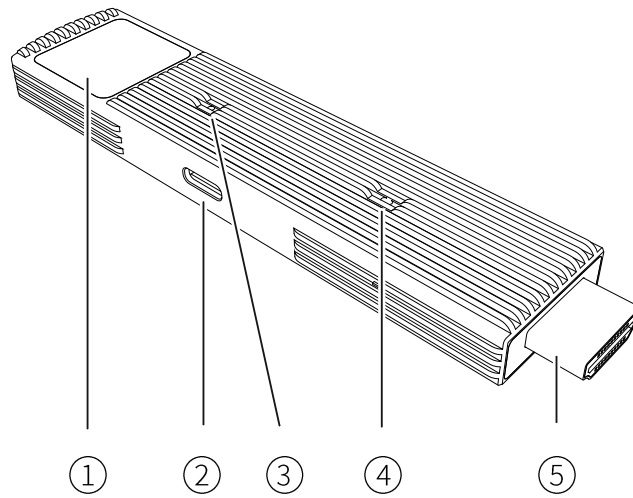
The main technical differences between those two are the video specifications, as detailed in the specifications section.

Specifications

	P4		P5	
	PK-P4-TX	PK-P4-RX	PK-P5-TX	PK-P5-RX
Transmission tech.	Wireless HD			
Frequency Band	60 GHz			
Transmission rate	3.96 Gbps			
Transmission range	up to 30 m (unobstructed)			
Transmission angle	75 degrees			
Video specifications	1080P@60Hz		4K@30Hz, 1080P@120Hz	
Picture delay	<2.5ms			
Interface type	HDMI input	HDMI, Type-C DP Type-C PD	HDMI input	HDMI, Type-C DP Type-C PD
Working V/A	5V 600mA			
Working Power	3W			
Battery capacity	--	7000mAh	--	7000mAh
Dimensions	92 x 25 x 11mm	132 x 76 x 18.5mm	115 x 25 x 11mm	132 x 76 x 18.5mm
Net Weight	35g	252g	45g	258g
Operating temperature	0°C~60°C			
Storage temperature	-20°C~60°C			
Associated humidity	20~90% RH (non-condensing)			

Ports

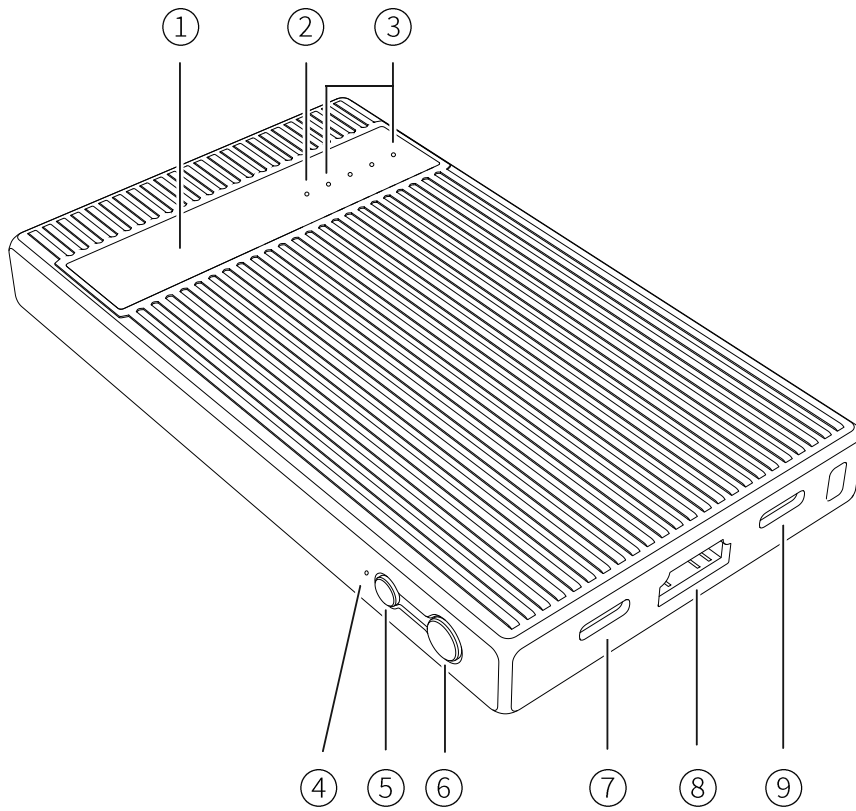
Transmitter



- ① mmWave antenna window ② USB power supply port ③ Reset button
④ working indicator ⑤ HDMI

Note: The mmWave is emitted outwards from the antenna window, which is the direction in which the mmWave is transmitted

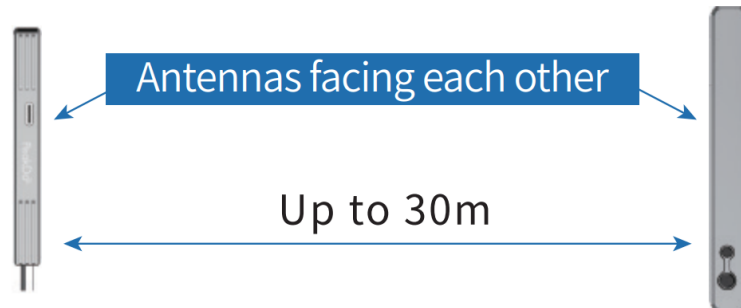
Receiver



- | | | |
|-------------------------|----------------------------|-----------------------------|
| ① mmWave antenna window | ② mmWave working indicator | ③ Battery Status Indicators |
| ④ Working indicator | ⑤ Reset button | ⑥ Power on/off button |
| ⑦ Type-C DP output | ⑧ HDMI output | ⑨ USB power supply port |

Directions for use

Due to the characteristics of the 60GHz millimeter wave, the antennas of transmitter and receiver need to have a correct alignment, smaller than 60 degrees. A smaller alignment angle results in a stronger signal. As shown in the following figure.:



Connect the transmitter

Connect with the camera

Plug the transmitter into the camera's HDMI port.

Attentions:

- Some cameras use mini-HDMI, so a standard HDMI to mini-HDMI adapter will be need;
- If the HDMI port of the camera is not supplied with sufficient power, you need to supply additional power to the transmitter (portable battery can be used).



Connect with Switch game consoles

Plug the transmitter into the HDMI port of the Switch dock.

Attentions:

- A 360° adapter (available at PeakDo stores) can be used to adjust the orientation of the mmWave antenna;
- If the HDMI power supply of the base is insufficient, you need to supply additional power to the transmitter (portable battery can be used).



Connect with a computer

Plug the transmitter into the HDMI output port of your laptop or desktop computer (most laptops do not require auxiliary power supply).



Connect with the computer for long-distance projection

For long-distance projection (such as 30 meters), the antennas of the transmitter and receiver should be in the right direction to achieve the best signal reception. a 360° HDMI adapter can be used to adjust the direction of the transmitter antenna, as shown in the right figure.



USB auxiliary power supply connection

Some laptops or computers (especially older one) do not have enough power supply from the HDMI port to support the transmitter, in this case, a short USB A-to-C cable (available at PeakDo stores) can be used to provide enough power from external, as shown in the right figure.



Setup the receiver

The receiver has a built-in large-capacity battery, which does not need to be connected to the additional power; You can also connect an external power adapter to the receiver's USB port to provide power; If you are using an external power supply, please make sure that the voltage is 5V and the current is at least 2A.

Please ensure that the antenna window of the receiver is facing the antenna window of the transmitter, and try to avoid obstacles between the transmitter and receiver, otherwise the signal may be blocked and the signal transmission quality will be affected.

Use an HDMI cable or Type-C DP cable to connect the receiver to the display device, and the receiver can be paired with the transmitter as soon as it is powered on.

When the receiver is powered on, the working indicator light on the side will turn on.

Press the power on/off button of the receiver once and the battery level indicator will light up.

mmWave indicators

When the transmitter and receiver are working, the mmWave indicator will indicate the status in red, blue and green. The mmWave indicators of the transmitter and receiver will display the status in sync, and their status descriptions are as follows:

- Red: The power is on
- Blue: Searching for a signal
- Green: The connection is successful

If the transmitter and receiver keep showing blue light, it means that the device is not connected, please short press the transmitter reset button once, and wait for 5~6 seconds to establish the connection;

If the connection is still not established, reset the device: press and hold the transmitter and receiver reset buttons at the same time for 10 seconds, release it after the indicator light goes out, the reset is completed, and the devices restart the connection.

Note:

- When pairing, ensure that the transmitter and receiver are unobstructed within the visual range of 30 meters, and if necessary, the position/direction can be adjusted to obtain the best effect;
- After successful pairing, even if the transmitter and receiver are disconnected, there is no need to pair again unless they are replaced with different transmitters or receivers.

Precautions

- 1) When the transmitter and receiver use an external power supply, please make sure that the power output is 5V/2A, or it may cause damage to the device!
- 2) If the transmitter and receiver cannot be connected, try to press and hold the reset button and reconnect.
- 3) If there is a jam or disconnection during use, please make sure that the devices are within the effective distance, the orientation is correct, and no obstacle in the middle.
- 4) Only use the manufacturer's accessories, do not connect incompatible devices and/or accessories.
- 5) This device is not waterproof, please keep it dry.
- 6) Do not disassemble and repair this product without manufacturer's authorization.

FAQs

Q: The power supply at the transmitter and receiver is normal, but the screen cannot be projected

A: You can try wired screen cast to check whether the signal source and display device are normal, the specific steps:

1. Use an HDMI cable to connect directly from the source to the display device
2. Switch the display device to the correct HDMI input channel and check whether the wired screen can be projected normally

Q: What kind of devices are supported by the transmitter and receiver?

A: Transmitter supports:

- All iPhone (Lightning adapter required)
- Android phones with DisplayPort function (Android phones that can project the screen wired through the Type-C port)
- Almost all computers

Receiver supports: The device must have the HDMI-IN interface, which include TVs, monitors, projectors, etc.

Note: All mobile phones require an optional adapter (available at PeakDo stores)

Q: The indicator does not light up after the device is powered?

A: Check the power supply of the transmitter and receiver, both should be at least 5V2A.

Some laptops or computers (especially old models) have insufficient power supply for the HDMI port, in this case, you can use the short USB-A-to-C cable (include in the package) to provide enough working power from external.

Q: Can all mobile phones with Type-C interface be cast wirelessly?

A: No, only Type-C ports with HDMI function are supported. Only those one support wired screen projection can cast wirelessly with PeakDo projectors.

Warranty

PeakDo guarantees that all hardware products and accessories are covered by a one-year warranty from the date of purchase, only for those purchased from the official PeakDo flagship store, official website, or authorized reseller.

Equipment failure caused by unauthorized private disassembly of the device is not covered by the warranty.

There is no guarantee for normal wear and tear, and equipment failures caused by improper use are not covered by the warranty (drops, water immersion, etc.).

Contact Us

Email: sales3@peakdo.com

WhatsApp: 8619168834772