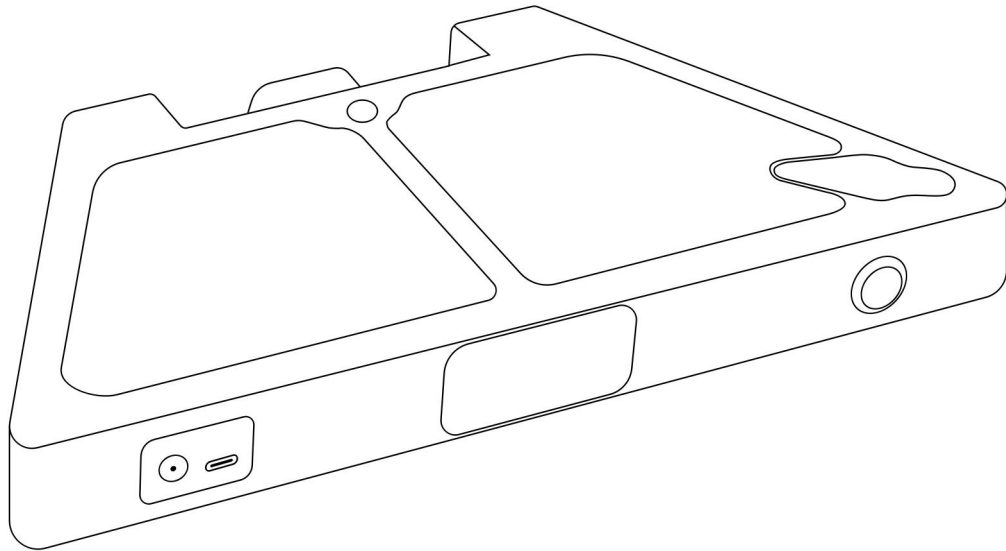




## LinkPower 2

Power Bank for Starlink® Mini



Quick Start

V 2.1

## Introduction

Meet the LinkPower 2 power solution!

The LinkPower 2 power bank is a compact, high-efficiency power solution designed exclusively for the Starlink® Mini.

With a 99Wh battery capacity, LinkPower 2 provides over 5 hours of continuous runtime, keeping your internet connection alive - even in remote locations.

LinkPower 2 supports USB-C bidirectional power delivery. With 100W<sup>1,2</sup> USB-C input, it charges from 20% to 80% in just 45 minutes. The USB-C port also can deliver 65W output, perfect for powering your phone, laptop, and other USB-C devices.

DC and magnetic DC input ports of LinkPower 2:

- When using the original Starlink Mini charger, the maximum input power is up to 60W.
- When used with a 12V car charger, the maximum input power is up to 65W.

Best of all, LinkPower 2 can power the Starlink® Mini while charging itself via the USB-C port - ensuring uninterrupted operation when you need it most.

Press and hold the power button for 2 seconds. Release the button when the breathing light starts flashing to turn the DC output on or off. Use this function to control power to your Starlink® Mini.

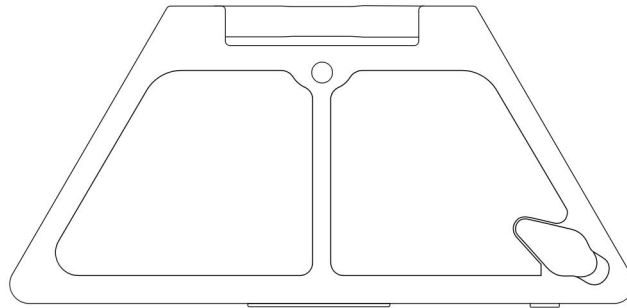
### NOTE:

1. Before using LinkPower 2 for the first time, you must activate it.
  - Plug in an external PD power supply to activate the LinkPower 2. or
  - hold the power button for 10 seconds. Activation is complete once the screen turns on.
2. Input (Charging) power limit can be set via Web App. The max power limit is 100W.
3. Warning: Charging or discharging the battery at high power levels may significantly reduce its lifespan. For optimal battery health, avoid excessive power usage unless necessary.

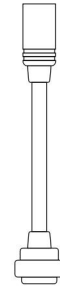
## What's In the Box



DC-to-DC Cable

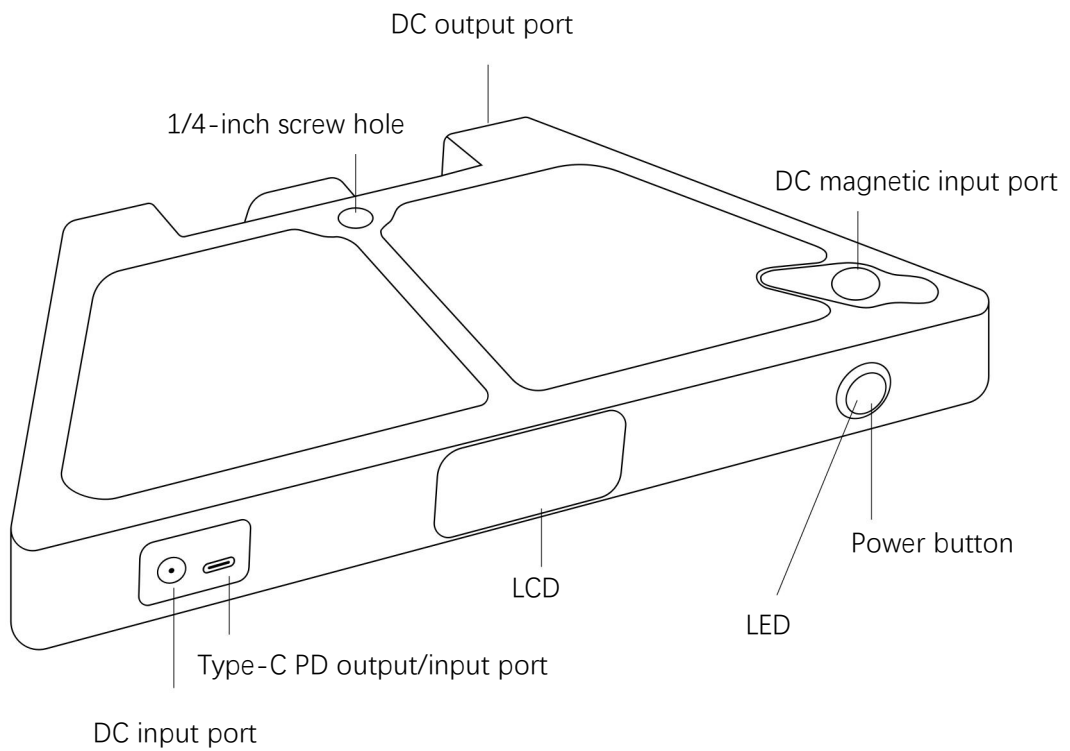


LinkPower 2



DC to magnetic DC cable

## Device Overview



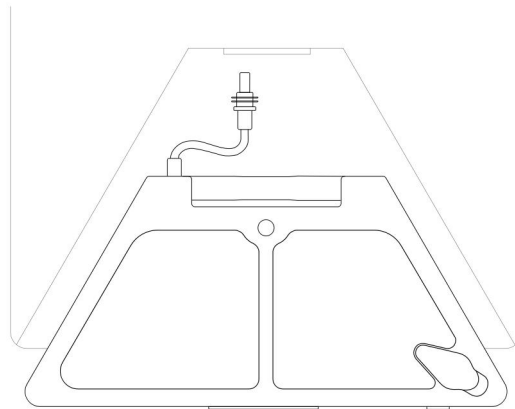
**WARNING: The DC output port is for output only. Do not connect any DC power**

adapters, as it may damage the device.

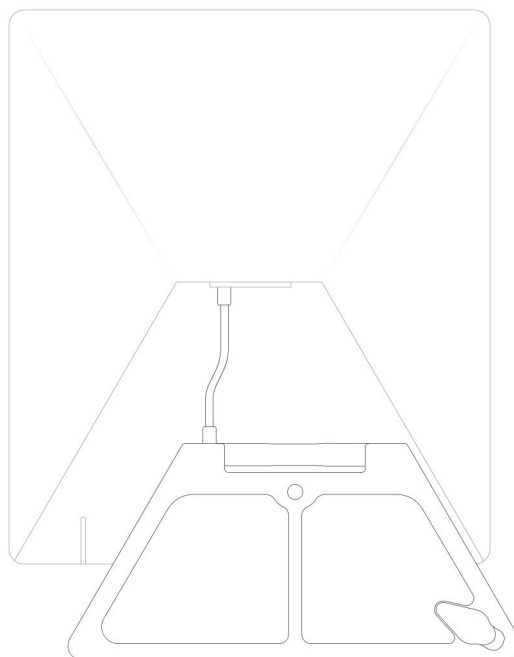
# Setup

**WARNING: The DC output port is for output only. Do not connect any DC power adapters, as it may damage the device.**

1. Place the Starlink® Mini face down on a table or other flat surface. Be careful not to scratch the face of the Starlink® Mini. Remove the kickstand if used.
2. Unpack the LinkPower 2 and plug the included DC-to-DC cable into the DC port on the LinkPower 2.



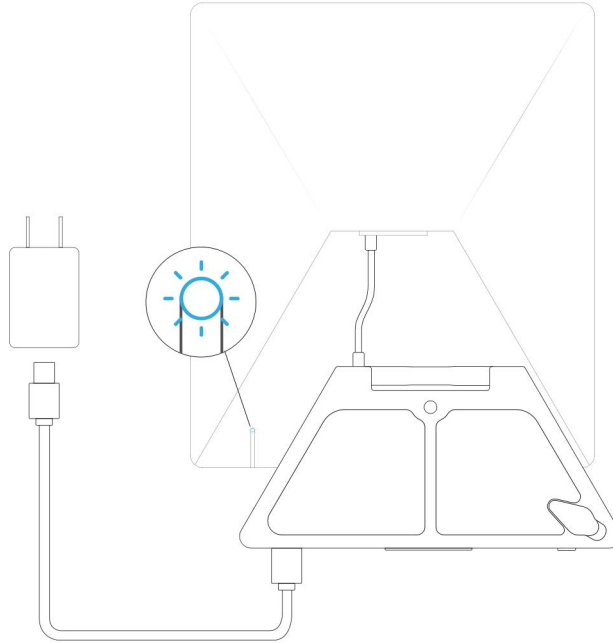
3. Plug the other end of the DC cable into the DC port on the Starlink® Mini. Ensure the plug is fully inserted such that the plug face is flush with the DC port surface to guarantee a secure connection.



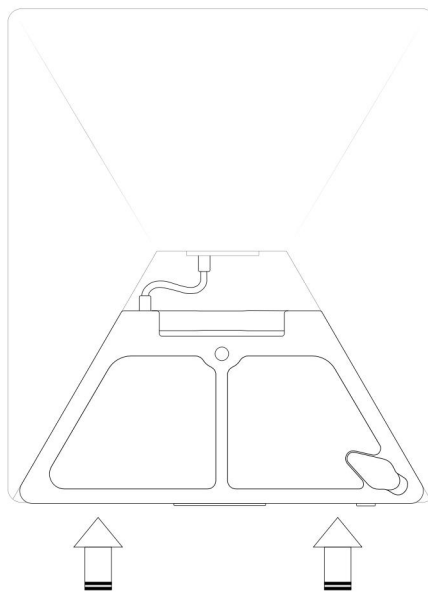
## LinkPower 2 Quick Start

---

4. Plug in an external PD power supply to **activate** the LinkPower 2. Alternatively, press and hold the power button for 10 seconds. Activation is complete once the screen turns on. When the LinkPower 2 powered on, the LED indicator on the power button will light up. The Starlink® Mini will automatically power on, and its LED indicator will begin flashing.  
**NOTE:** After LinkPower 2 has been activated, you can remove the external PD power supply.



5. Gently slide the LinkPower 2 toward the Starlink® Mini until you hear a clicking sound. This indicates that the LinkPower 2 is securely attached to the Starlink® Mini.



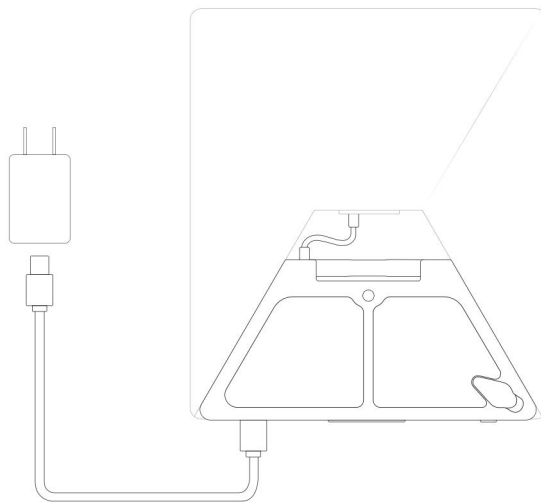
6. Setup is complete. You can now use your Starlink® Mini as normal, powered by the attached LinkPower 2.

## Usage

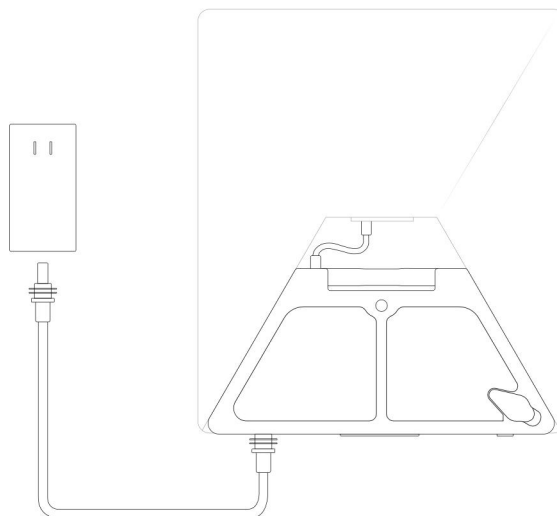
## Charging

LinkPower 2 supports the following three charging methods while simultaneously powering the Starlink Mini:

1. Type-C PD Charging: Charge LinkPower 2 via the Type-C PD port while (Supports PD 3.1, PPS, and QC5. Compatible with QC 3.0 / 2.0, FCP, AFC, SCP, and Apple 2.4A)



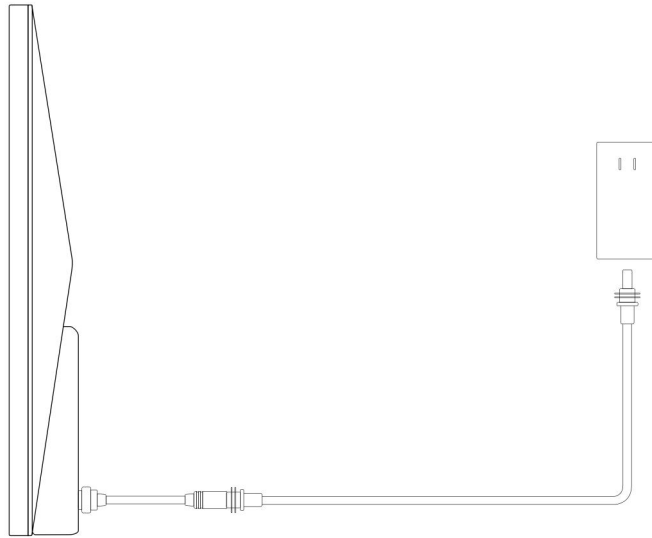
2. DC Input Charging: Charge LinkPower 2 through the DC input. Compatible with the original Starlink Mini power adapter, enabling charging and operation at the same time.



## LinkPower 2 Quick Start

---

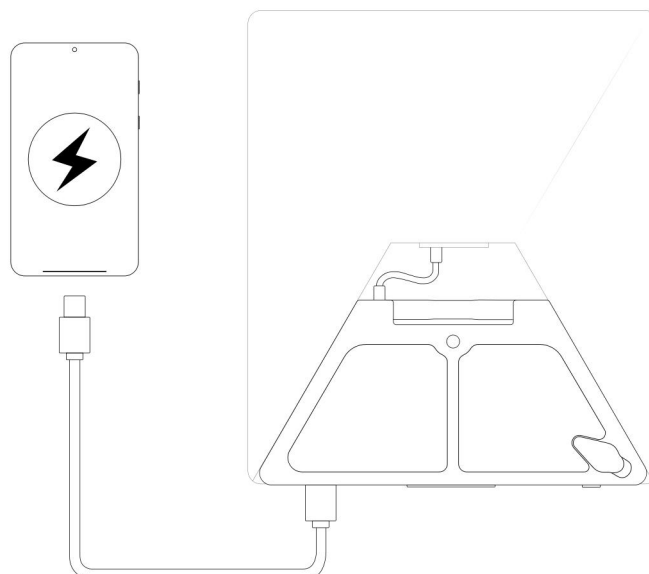
3. Magnetic DC Charging: Supports charging via a DC-to-DC magnetic connector (standard with LinkPower 2) when connected to a DC power supply.



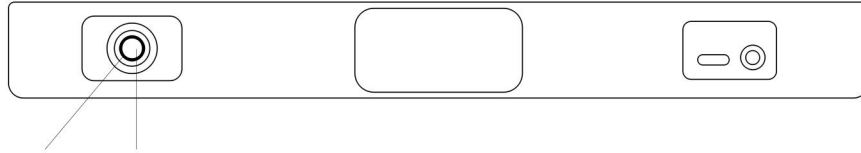
## Works as a normal power bank

When needed, LinkPower 2 can also be used to charge other devices through its USB Type-C PD port.

**NOTE: The power bank reserves approximately 10%~15% of its capacity for the Starlink Mini. When the remaining battery level falls below this range, the Type-C output will automatically turn off to ensure better overall usability and avoid your Starlink Mini powering down unexpectedly (due to USB outputs draining the battery).**



## Power Button Functions



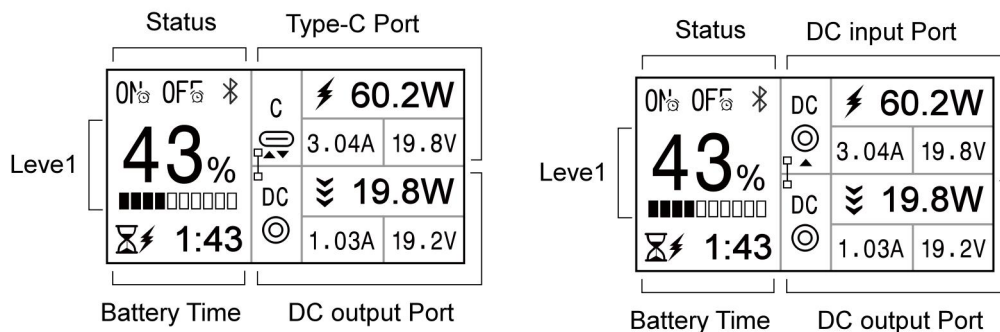
Breathing LED      Power button

1. Power Off: Press and hold the power button for 10 seconds to power off the LinkPower 2.
2. DC Output On / Off: Press and hold the power button for 2 seconds. Release the button when the breathing light starts flashing to turn the DC output on or off.
3. Breathing Light On / Off: (When the DC output port is on) Quickly press the power button twice to turn the breathing light on or off.
4. PIN Mode Switching: Quickly press the power button three times to switch between Fixed PIN (020555) and random PIN. (During pairing, if no verification code is displayed on the screen, a fixed PIN is used. If a verification code is displayed, a random PIN is used.)  
When the mode is successfully switched, the LED indicator will flash to confirm.

## Check the status

To check the status of LinkPower 2, press Power Button once to turn on the LCD screen.

Following is the layout of the full UI:

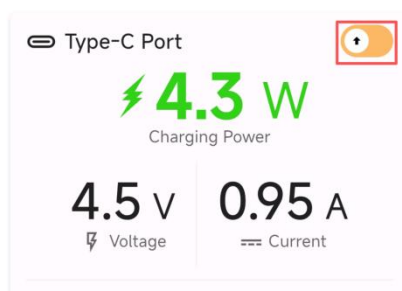


## LinkPower 2 Quick Start

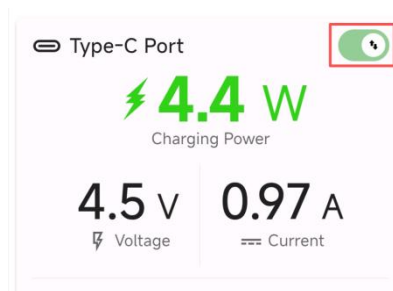
<b>Battery Level</b>	Displays Battery Level
<b>Battery Time</b>	⌚⚡ Displays the estimated time until LinkPower 2 is fully charged ⌚⚡ Displays the estimated time until LinkPower 2 is fully discharged
<b>Status</b>	ON⌚ Indicate a timer is active for turning on the DC port OFF⌚ Indicate a timer is active for turning off the DC port 📶 Indicate work status of Bluetooth
<b>DC output Port</b>	Displays the power, current, voltage and work status of the DC port ⚡⚡⚡ Indicate DC port is discharging
<b>DC input Port</b>	Displays the power, current, voltage and work status of the DC port ▲ Charging is in progress via the DC port
<b>Type-C Port</b>	Displays the power, current, voltage and work status of the Type-C port ⚡ Indicate Type-C port is charging ⚡⚡⚡ Indicate Type-C port is discharging ▲▼ Enable charging or discharging ▲ Enable charging-only mode
<b>Bypass State</b>	Located between the DC and Type-C displays 🔧 When the color is yellow, it indicates manual activation 🔧 When the color is green, it indicates automatic activation

When the DC port is enabled, the LED indicator will gently pulse.

Open the app, scroll down to find the Type-C port, and tap the button on the right to switch between Charge Only and Charging/Discharging



Charging Only



Charging or Discharging

### Smart Bypass Mode — Always On Power

Directly power your Starlink Mini from external source

No interruption Smarter protection

How Bypass Mode Works :

- **Manual Activation:**  
Enable Bypass anytime via Web App for direct power supply.
- **Auto at Low Battery:**  
When battery drops below 3%, external power automatically takes over.  
→ Keeps Starlink Mini running without interruption
- **Auto at Full Charge:**  
When battery reaches 100%, Bypass activates automatically  
→ Prevents overcharging and protects battery lifespan
- **Ensure Sufficient Input Power** ( External Power  $\geq$  Starlink Mini Power Consumption ):  
When battery is extremely low, the external power source must provide enough output power to run Starlink Mini directly.  
If power is insufficient, the device may not operate properly.

### Manually Controlling the DC Port

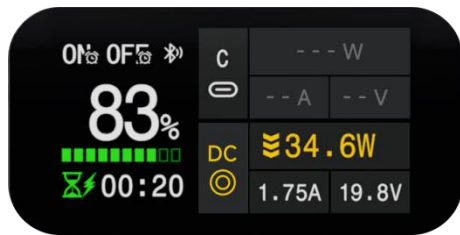
You can manually enable or disable the LinkPower 2's DC port, which in turn powers your Starlink® Mini on or off.

To do this, press and hold the Power Button for at least 2 seconds. The LED indicator will quickly flash twice to confirm this action.

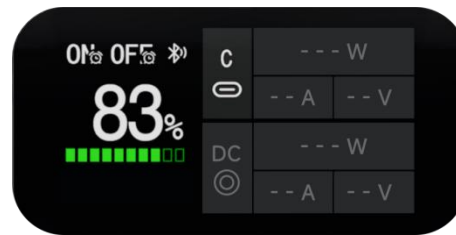
- When the DC port is enabled, the LED indicator will gently pulse.
- When the DC port is disabled, the LED indicator will turn off.

## LinkPower 2 Quick Start

---



enabled



disabled

## Shutting Down LinkPower 2

If you don't plan to use LinkPower 2 for an extended period, you can shut it down completely. This helps to preserve battery life and health.

To do so, press and hold the Power Button for at least 10 seconds. Once LinkPower 2 is fully shut down, the Power Button will become unresponsive.

To restart LinkPower 2 from a complete shutdown, Plug in an external PD power supply to **activate** the LinkPower 2. Alternatively, press and hold the power button for 10 seconds. Activation is complete once the screen turns on.

## Using Web App

**NOTE:** The Web App currently only works on following browsers:

- Windows/macOS: Chrome, Edge, Opera
- Android: Chrome, Edge, Opera, Samsung Internet
- iOS: [Bluefy](#)

**NOTE:** The Web App can function offline after your initial visit.

## Access Web App



Scan the following QR code, or the one on the back of the LinkPower 2.

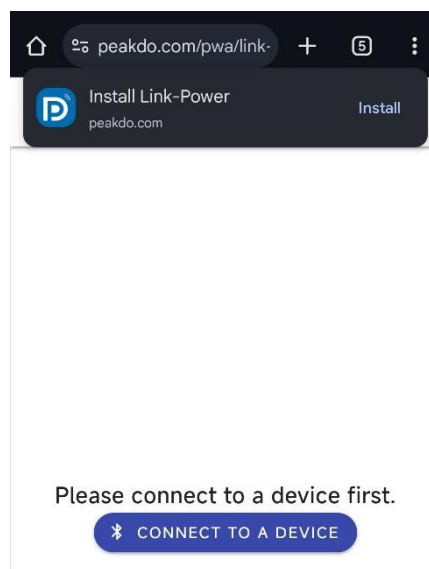
Or type in the URL <https://pwa.peakdo.ca/link-power-1/> manually.

## (Optional) Install Web App

**NOTE:** You may need to grant your browser 'Home screen shortcuts' permission.

You can access the Web App directly in your browser. For a more integrated experience, you can also install it like a native app, which provides a launch icon on your desktop or allows it to be pinned to your Windows Taskbar.

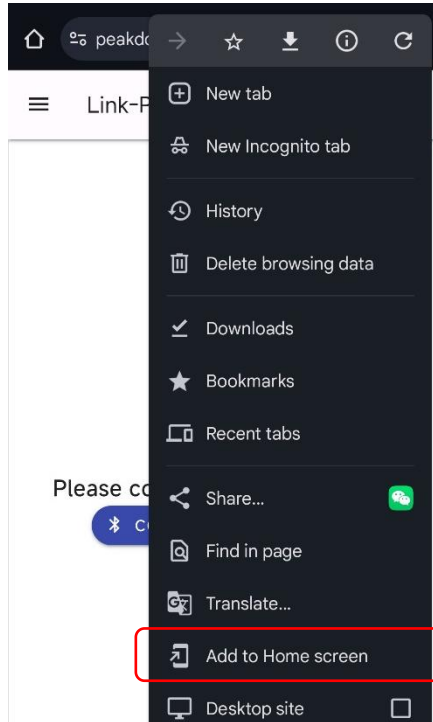
When you visit the Web App for the first time, your browser may prompt you to install it.



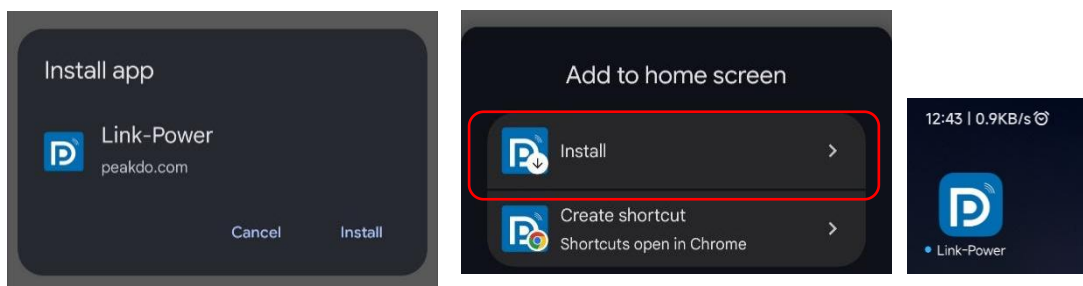
# LinkPower 2 Quick Start

---

If not, you can typically find the installation option via your browser's "Add to Home screen" or similar menu.



Follow the on-screen guide to install the Web App:

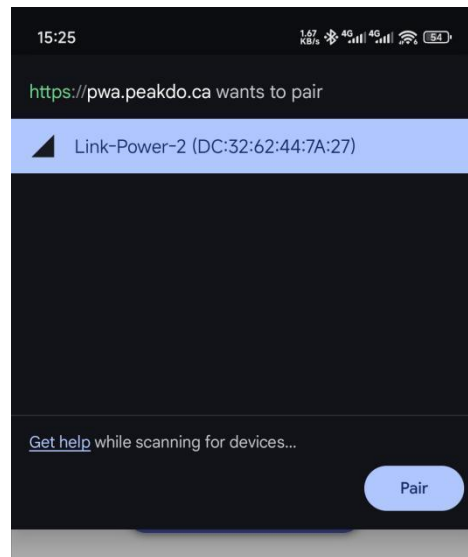


# LinkPower 2 Quick Start

---

## Connect to LinkPower 2

The Web App communicates with LinkPower 2 via Bluetooth.



You can connect to your LinkPower 2 by tap the “Connect to a device” button.

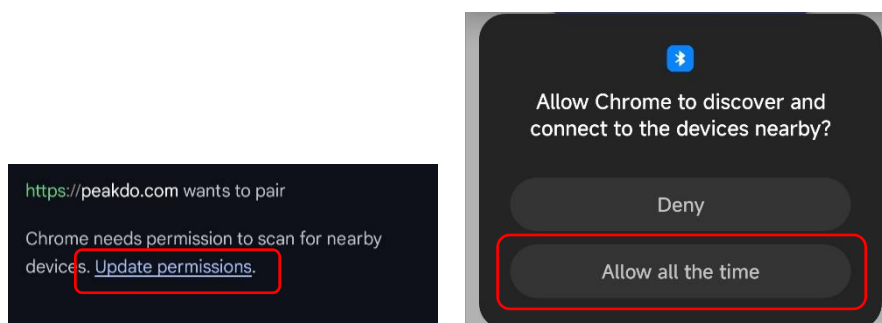
Your browser will scan for all nearby LinkPower 2 devices and display them in a list, allowing you to select one to pair.

**NOTE:** In some situations, a previously paired or bonded device may not show up in the list. You can unpair or remove the bond from your system and try again.

## Grant permission to Browser

If your browser lacks Bluetooth access permission, it may prompt you to grant it.

Follow the on-screen guide to allow access:



# LinkPower 2 Quick Start

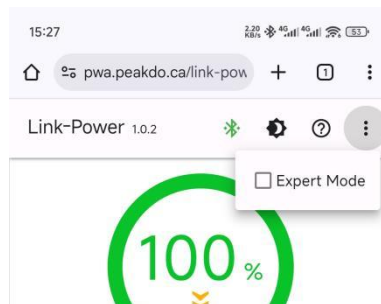
---

## The UI

Following is the UI of the Web App, it's pretty straightforward.



Some advance actions hidden by default. You can show them by check the "Expert Mode" menu in the three dots menu:



## Pair with LinkPower 2

When connect to the LinkPower 2 device, your operating system (OS) will prompt you to enter a PIN to pair with the LinkPower 2 device. You'll only need to do this once, unless you delete the LinkPower 2 bond from your OS settings.

**NOTE:** A random six- digit PIN will be displayed on the LCD screen. If not, use the default PIN 020555.

## Troubleshooting

Our Web App has been successfully tested with the following browsers:

- Windows/macOS: Chrome, Edge
  - Android: Chrome, Edge, Samsung Internet
  - iOS: [Bluefy](#)
- 
1. Activate LinkPower 2, and make sure Bluetooth is turned on: the Bluetooth icon should be highlighted white (not green or dim grey) on top of the screen.
  2. Make sure your system has Bluetooth hardware and it is turned on:
    - For Windows
      - Go to `Settings` → `Bluetooth & devices`. Make sure Bluetooth is turned on
      - In `Bluetooth & devices`, click `Add device`
      - Choose `Bluetooth`
      - Wait for Windows to discover your BLE device, you should see the device named `Link-Power-2` in the list
    - For Android
      - Make sure Bluetooth is turned on
      - you should see the device named `Link-Power-2` in the `Available devices` list
  3. Install and launch a supported browser

# Specifications

Product Name	LinkPower 2
Battery Capacity	99Wh, 27500mAh(3.6v)
Battery Runtime	~5Hours for Starlink® Mini
Battery Type	21700 Lithium Battery
Ports	PD/USB-C; DC 5.5 x 2.1; magnetic DC
DC Input	DC 12-30V (65W Max)
DC Output	DC 15-21V (65W Max)
PD/USB-C Input	5V-3A; 9V-3A; 12V-3A; 15V-3A; 20V-3.25A; Default 65W Max <sup>1,2</sup> .
PD/USB-C Output	5V-3A; 9V-3A; 12V-3A; 15V-3A; 20V-3.25A; Default 65W Max
Screen	1.47" LCD
Control	Power Button / Bluetooth Low Energy
Others	LED Indicator; A standard 1/4-inch screw holes.
Dimensions	243mm x 115mm x 27 mm
Weight	~667g
Working Temperature	-20°C ~ 60°C
Waterproof Rating	IP65

1. Input (Charging) Power Limit can be set via Web App. The max power limit is 100W.
2. **Warning:** Charging or discharging the battery at high power levels may significantly reduce its lifespan. For optimal battery health, avoid excessive power usage unless necessary.