

YC6J220-33 (J1A17) 柴油机

零件图册

Parts Catalog of YC6J220-33 (J1A17) Diesel Engine

广西玉柴机器股份有限公司

Guangxi Yuchai Machinery Co., Ltd.

2013 年 2 月

February, 2013

前 言 Preface

感谢您选用广西玉柴机器股份有限公司的产品，并感谢您阅读《YC6J220-33 (J1A17)柴油机零件图册》!

Thank you for choosing products of Yuchai and reading Parts Catalog of YC6J220-33 (J1A17) Diesel Engine.

玉柴的服务宗旨是：“倾我所有、尽我所能、竭诚用户、诚信天下”，为了更好地履行玉柴的服务宗旨，我们编印了《YC6J220-33 (J1A17)柴油机零件图册》，希望本图册可以让用户更好地了解玉柴产品的结构与配置，方便用户使用、维修和购置零配件。

The service principles of Yuchai are to try our best to serve you, and serve you wholeheartedly and faithfully. In order to carry out them better, we edit and print Parts Catalog of YC6J220-33 (J1A17) Diesel Engine. We hope this catalog can let users know our products' construct and configuration, easily use, maintain and purchase parts.

本零件图册是根据 2013 年 2 月相关生产图样、资料编制而成的。图册中列出了 YC6J220-33 (J1A17)柴油机的全部零部件目录。

This catalog is based on the product's drawing and data made in February 2013. All parts of YC6J220-33 (J1A17) Diesel Engine are listed in this catalog.

随着产品的不断改进提高和用户不断提出新的要求，《YC6J220-33 (J1A17)柴油机零件图册》中的有关内容将会有不同程度的变更，玉柴保留在不预先通知的情况下进行修改的权利，具体配置情况应以当时产品技术文件为依据。

With the product improvement and users' requirements, part of content will change to some extent. Yuchai keeps the right of modifications which are not informed in advance. The detail configuration should accord to the product technical documents of the day.

本零件图册编写不足之处在所难免，敬请多多指教，使之渐臻完善。谢谢!

Parts Catalog of YC6J220-33 (J1A17) Diesel Engine is planned by Yuchai Machinery Co., Ltd. If there is any mistake in it, please point out and make it better. Thank you

Notice: EWP=Easy wear part

广西玉柴机器股份有限公司
Guangxi Yuchai Machinery Co., Ltd.

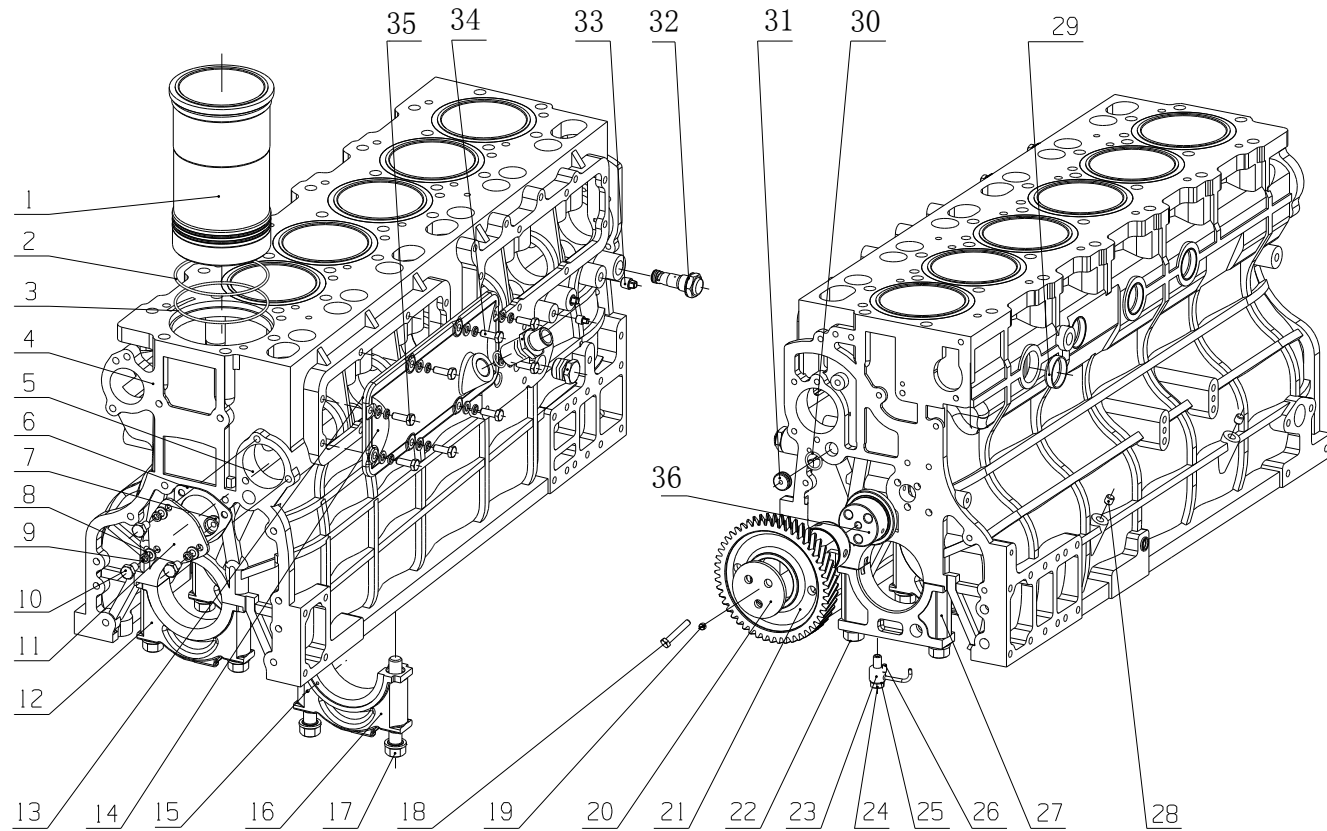
目 录 CONTENTS

序号 No.	图 号 Part No.	名 称	Part Name	页数 Page.	备注 Remarks
1	J1A17-1002000/08	气缸体总成	Cylinder Block Assembly		
2	J1A16-1002200/07	齿轮室部件	Gear Housing Parts		
3	J41D7-1003000/01	气缸盖及气缸盖罩总成	Cylinder Head & Cylinder Head Cover Assembly		
4	J3600-1004000/03	活塞连杆总成	Piston & Connecting Rod Assembly		
5	J1A17-1005000/01	曲轴减振器总成	Crankshaft Vibration Damper Assembly		
6	630-1006000A/02	凸轮轴总成	Camshaft Assembly		
7	J4200-1007000/01	气门挺杆总成	Valve Tappet Assembly		
8	J4097-1008100/03 & J4 1JA-1008500/06	进气管部件 & 进气接 管部件	Intake Pipe Parts & Intake Connecting Pipe Parts		
9	J4218-1008200/09	排气管部件	Exhaust Pipe Parts		
10	J4218-1009000/03	油底壳总成	Oil Sump Assembly		
11	J42A1-1028000/03	油标尺总成	Oil Dipstick Assembly		
12	J4218-1010000/07	机油收集器总成	Oil Collector Assembly		
13	B3000-1011010/06	机油泵组件	Oil Pump Assembly		
14	J1AD2-1012000/02	机油滤清器总成	Oil Filter Assembly		
15	J1A17-1013000/07	机油冷却器总成	Oil Cooler Assembly		
16	J4097-1014000/10	曲轴箱通风装置总成	Crankcase Ventilation Device Assembly		

17	J1A18-1104000/03	供给系管路总成	Supply Pipeline Assembly		
18	J42QA-1105000/10	柴油滤清器总成	Fuel Filter Assembly		
19	J1A99-1111000/03	喷油泵总成	Injection Pump Assembly		
20	A1101-1112000/02	喷油器总成	Injector Assembly		
21	J4218-1115000、01	断油机构总成	Fuel Cut-off System Assembly		
22	J4218-1118000/05	增压器总成	Turbocharger Assembly		
23	J4120-1303000/02	散热器水管及软管总成	Radiator Water Pipe & Hose Assembly		
24	631-1305000/06	放水开关总成	Water Drain Cock Assembly		
25	J1D17-1306000/04	调温器总成	Thermostat Assembly		
26	J1A16-1307000/01	水泵部件	Water Pump Parts		
27	J1AF5-1308000/02	风扇总成	Fan Assembly		
28	J6518-1600000/09	动力输出总成	Power Output Assembly		
29	J41F1-3407000/01	转向泵总成	Steering Pump Assembly		
30	J42H1-3509000/11	气制动空气压缩机总成	Pneumatic Air Compressor Assembly		
31	J1A16-3701000/04	发电机总成	Alternator Assembly		
32	J1A17-3708000/01	起动机总成	Starter Assembly		
33	J1D17-3800000/01	仪表、感应塞总成	Instrument & Sensor Assembly		
34	J1A00-3904000/01	铭牌	Nameplate		

EWP=Easy wear part (易损件)

1、J1A17-1002000/08 气缸体总成 Cylinder Block Assembly



1、J1A17-1002000/08 气缸体总成 Cylinder Block Assembly

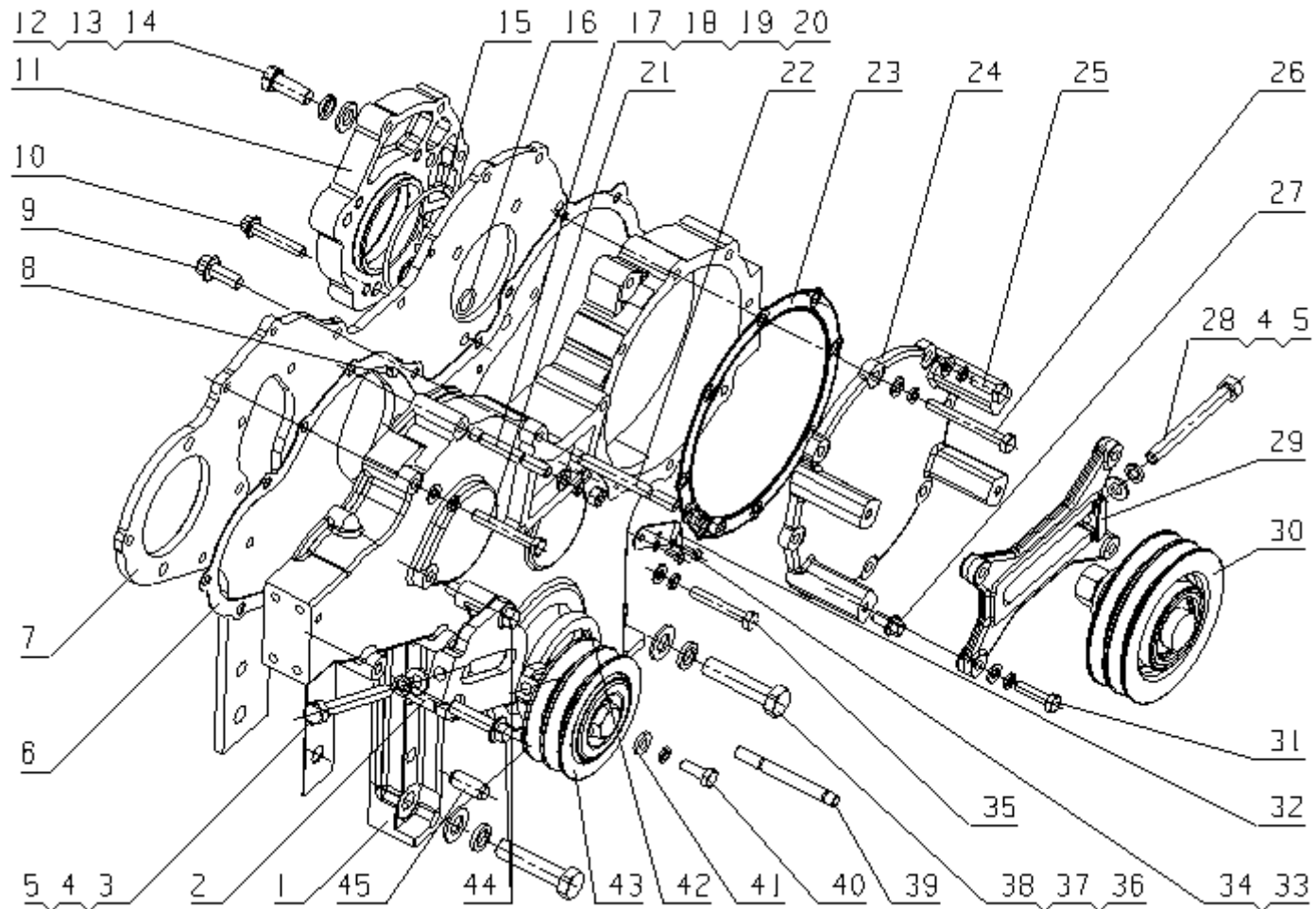
序号 No.	图 号 Part No.	名 称	Part Name	数量 Qty.	备注 Remarks
1	J3300-1002064A	气缸套	Cylinder liner	6	易损件 EWP
2	A3000-1002063	气缸套封水圈	Cylinder liner O ring	6	易损件 EWP
3	A3000-1002063B	气缸套封水圈	Cylinder liner O ring	6	易损件 EWP
4	430-1002114	气缸体	Cylinder block	1	
	430-1002114*	气缸体组件	Cylinder block subassembly	1	
5	6105QA-1002011	凸轮轴衬套	Camshaft bushing	8	易损件 EWP
6	J3200-1002062	凸轮轴端盖垫片	Camshaft end cover gasket	1	易损件 EWP
7	6105Q-1002069	后主油道堵塞	Rear main oil galley plug	1	
8	Q40108	垫圈 8	Washer 8	11	
9	Q40308	垫圈 8	Washer 8	11	
10	Q150B0816	螺栓 M8×16	Bolt M8×16	3	
11	630-1002061	凸轮轴端盖	Camshaft end cover	1	
12	330-1002014	主轴承盖	Main bearing cap	5	
13	330-1002066C	挺杆室盖垫片	Tappet housing cover gasket	1	易损件 EWP
14	330-1002065D	挺柱室盖	Tappet housing cover	1	
15	YC24-0408	圆柱销 B4×8	Straight pin B4×8	2	
16	330-1002013	中间主轴承盖	Meddle main bearing cap	1	
17	330-1002021B	主轴承螺栓	Main bearing bolt	12	
18	Q150B1055TF2	螺栓 M10×55	Bolt M10X55	3	

19	Q61508	螺塞 M8X1	Screw plugM8X1	1	
20	A3100-1002054A	正时惰齿轮挡板	Timing idle gear plate	1	
21	A3000-1002051	正时惰齿轮	Timing idle gear	1	
22	330-1002018B	前主轴承盖螺栓	Front main bearing cap bolt	2	
23	A3100-1002170	喷嘴焊接件	Nozzle weldment	6	
24	G0100-1002162A	过油螺栓	Hollow bolt for oil	6	
25	430-1002163	垫圈	Washer	6	
26	YC24-B0510	圆柱销 5×10	straight pin 5×10	6	
27	3430-1002012	前主轴承盖	Front main bearing cap	1	
28	6105Q-1002022	铝堵φ 10×10	Aluminum plug φ 10×10	2	
29	330-1002023	碗形塞片	Bowl-type plug	4	
30	YC208-B01600F	O 形圈 2.65×16	O-ring 2.65×16	1	易损件 EWP
31	6105Q-1002067	主油道密封塞	Main oil gallery seal plug	1	
32	430-1002150	调压阀总成	Pressure regulating valve assembly	1	
33	Q618B02	螺塞 NPT 1/4	Screw plug NPT 1/4	1	
34	Q150B0825	螺栓 M8×25	Bolt M8×25	5	
35	Q150B0822	螺栓 M8×22	Bolt M8×22	3	
36	A3100-1002052	惰齿轮轴	idler gear shaft	1	

EWP=Easy wear part (易损件)

图 Drawing

2、J1A16-1002200/07 齿轮室部件 Gear Housing Parts



2、J1A16-1002200/07 齿轮室部件 Gear Housing Parts

序号 No.	图 号 Part No.	名 称	Part Name	数量 Qty.	备注 Remarks
1	J4116-1002031	正时齿轮室	Timing gear housing	1	
2	J41F3-1002441A	支架	Bracket	1	
3	530-1009002	垫圈	Washer	1	
4	Q40310	垫圈 10	Washer 10	2	
5	186-1002056A	调节螺栓	Adjusting bolt	2	
6	330-1002034A	正时齿轮室盖垫片	Timing gear housing cover washer	1	
7	330-1002203	齿轮室盖	Gear housing cover	1	
8	Q150B0820	螺栓 M8X20	Bolt M8X20	4	
9	Q1841025TF2	螺栓 M10X25	Bolt M10X25	4	
10	Q1840845	螺栓 M8X45	Bolt M8X45	4	
11	330-1002037C	空压机支承板	Air compressor fulcrum table	1	
12	Q/YC1821230	螺栓 M12X30	Bolt M12X30	3	
13	Q40312	垫圈 12	Washer 12	3	
14	Q40112	垫圈 12	Washer 12	3	
15	YC208-B08000F	O 形圈 2.65X80	O-ring 2.65X80	1	
16	YC208-B01600F	O 形圈 2.65X16	O-ring 2.65X16	2	
17	Q1200860	螺柱 M8×60	Stud M8×60	1	
18	Q40108	垫圈 8	Washer 8	11	
19	Q40308	垫圈 8	Washer 8	21	

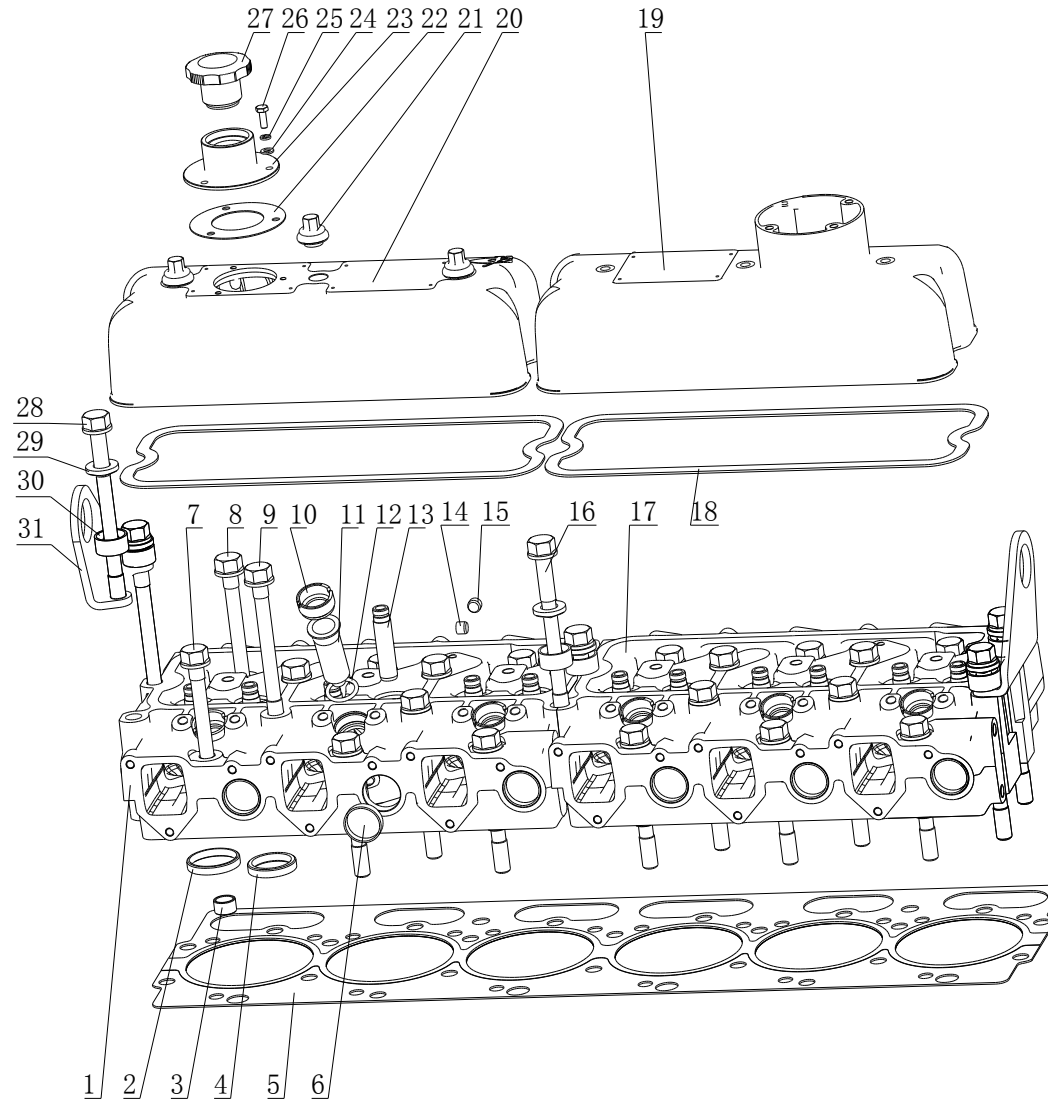
20	Q340B08	螺母 M8	Nut M8	4	
21	Q150B0855	螺栓 M8×55	Bolt M8×55	1	
22	Q1200885	螺柱 M8X85	Stud M8X85	2	
23	J3200-1002036B	喷油泵齿轮盖垫片	Fuel injection pump gear cover gasket	1	
24	J3808-1002205A	喷油泵齿轮盖	Injection pump gear cover	1	
25	Q150B0822TF2	螺栓 M8×22	Bolt M8×22	6	
26	Q150B0870	螺栓 M8X70	Bolt M8X70	2	
27	Q1840816	螺栓 M8X16	Bolt M8X16	2	
28	Q40110	垫圈 10	Washer 10	1	
29	J3808-1002441	支架	Bracket	1	
30	J4208-1002400A	张紧轮组件	Tensioner subassembly	1	
31	Q150B0830TF2	螺栓 M8X30	Bolt M8X30	4	
32	6105Q-1002039	上止点指针	Top dead centre point	1	
33	Q150B0510	螺栓 M5X10	Bolt M5X10	2	
34	Q40305	垫圈 5	Washer 5	2	
35	Q150B0850	螺栓 M8X50	Bolt M8X50	2	
36	Q150B1460	螺栓 M14×60	Bolt M14×60	2	
37	Q40314	垫圈 14	Washer 14	2	
38	Q40114	垫圈 14	Washer 14	2	
39	Q1200880	螺柱 M8X80	Stud M8X80	1	用于固定张紧轮支架 For tensioner bracket

40	Q150B0822	螺栓 M8X22	Bolt M8X22	2	
41	6105Q-3509013	垫圈	Washer	1	
42	YC209-070090FR	油封 70X90	Oil seal 70X90	1	易损件 EWP
	YC209-C070090PR	油封 70X90	Oil seal 70X90	1	选装 Optional
43	186-1002120	张紧皮带轮组件	Tensioner belt pulley subassembly	1	
44	Q1841050TF2	螺栓 M10X50	Bolt M10X50	2	
45	YC24-B1230	圆柱销 12×30	Stud pin 12X30	2	

EWP=Easy wear part (易损件)

图 Drawing

3、J41D7-1003000/01 气缸盖及气缸盖罩总成 Cylinder Head& Cylinder Head Cover Assembly



3、J41D7-1003000/01 气缸盖及气缸盖罩总成 Cylinder Head& Cylinder Head Cover Assembly

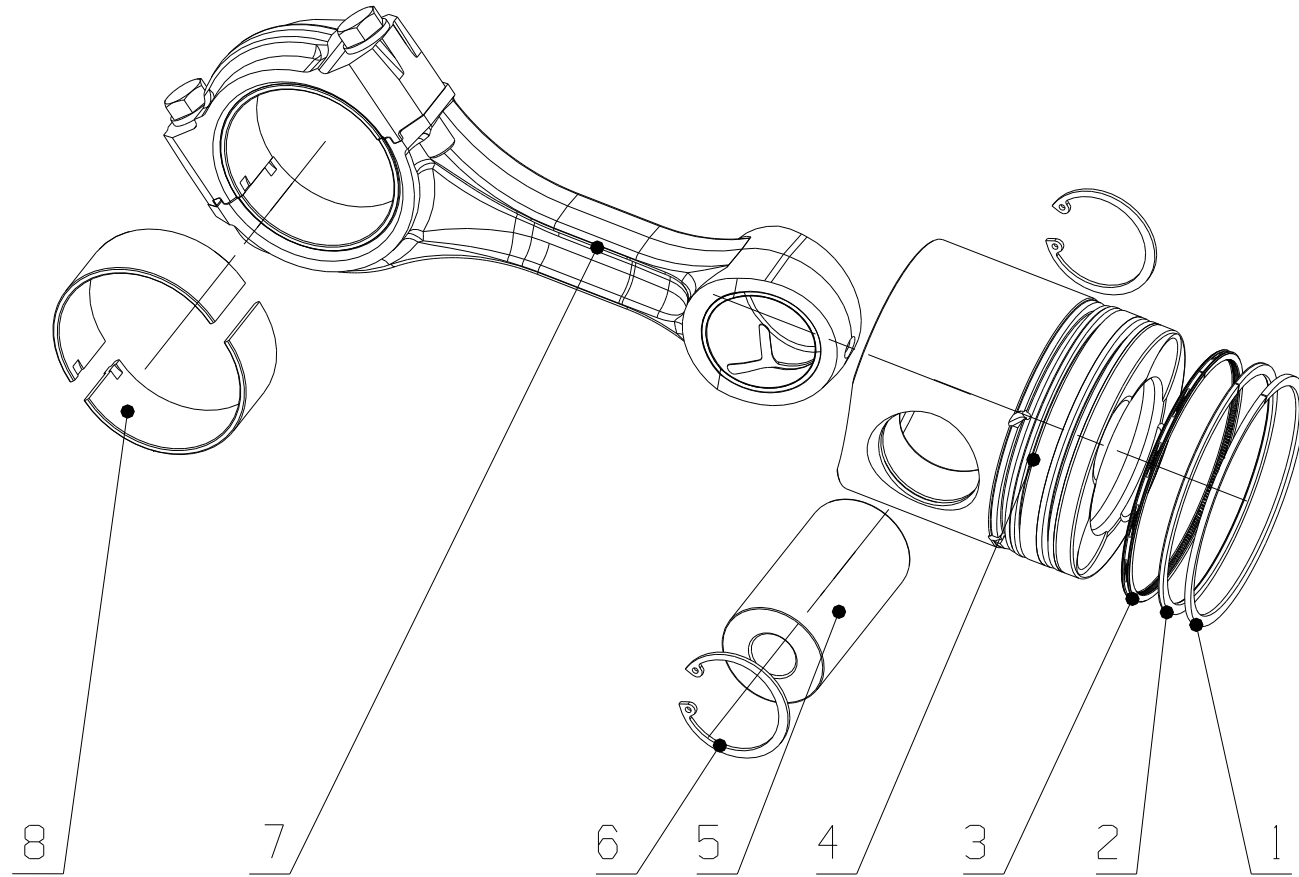
序号 No.	图 号 Part No.	名 称	Part Name	数量 Qty.	备注 Remarks
1	B3200-1003181B	前气缸盖	Front cylinder head	1	
	J3200-1003180A	前气缸盖组件	Front cylinder head subassembly	1	
2	430-1003173	进气门座圈	Intake valve seat ring	6	易损件 EWP
3	6105QA-1003088	气缸盖定位销套	Cylinder locating pin cover	4	
4	J3200-1003174	排气门座圈	Exhaust valve seat ring	6	易损件 EWP
5	B3000-1003001A	气缸盖垫片	Cylinder head gasket	1	易损件 (EWP)
6	630-1003081	水套堵塞	Water jacket plug	12	
7	330-1003018B	缸盖短螺栓 (II)	Cylinder head short bolt (II)	6	
8	330-1003014B	气缸盖短螺栓	Cylinder head short bolt	6	易损件 EWP
9	330-1003012B	气缸盖螺栓	Cylinder head bolt	8	易损件 EWP
10	6105QA-1003001	螺套	Screw sleeve	6	易损件 EWP
11	6105QA-1003019A	喷油器铜套	Injector copper sleeve	6	易损件 EWP
12	YC208-C02360S	O 形圈 3.55X23.6	O-ring3.55X23.6	6	易损件 EWP
13	430-1007018	气门导管	Valve guide pipe	12	易损件 EWP
14	6105QA-1003086	铝堵 (一)	Aluminum plug (I)	6	
15	6105QA-1003087	铝堵 (二)	Aluminum plug (II)	6	
16	330-1003013B	气缸盖长螺栓	Cylinder head long bolt	2	易损件 EWP
17	B3200-1003191B	后气缸盖	Rear cylinder head	1	
	J3200-1003190A	后气缸盖组件	Rear cylinder head subassembly	1	

18	J3200-1003022A	缸盖罩垫片	Cylinder cover gasket	2	易损件 (EWP)
19	B3220-1003051A	气缸盖罩	Cylinder cover	1	
20	630-1003021A	气缸盖罩 (I)	Cylinder cover (I)	1	
21	430-1003070C	压紧螺母组件	Tightening nut subassembly	6	
22	B3000-1003032	加机油口垫片	Oil filler gasket	1	易损件 EWP
23	B3000-1003042	加机油口座	Oil filler seat	1	
24	Q40106	垫圈 6	Washer 6	3	
25	Q40306	垫圈 6	Washer 6	3	
26	Q150B0616	螺栓 M6X16	Bolt M6×16	3	
27	150-1003040F	加机油口盖组件	Oil filler cover	1	易损件 EWP
28	330-1003019B	气缸盖长螺栓 (I)	Cylinder head bolt (long)	4	
29	6105QA-1003017D	垫圈	Washer	6	
30	6105QA-1003017F	垫圈 (二)	Washer (II)	6	
31	6105Q-1003085	吊耳	Lifter	2	

EWP=Easy wear part (易损件)

图 Drawing

4、J3600-1004000/03 活塞连杆总成 Piston & Connecting Rod Assembly



4、J3600-1004000/03 活塞连杆总成 Piston & Connecting Rod Assembly

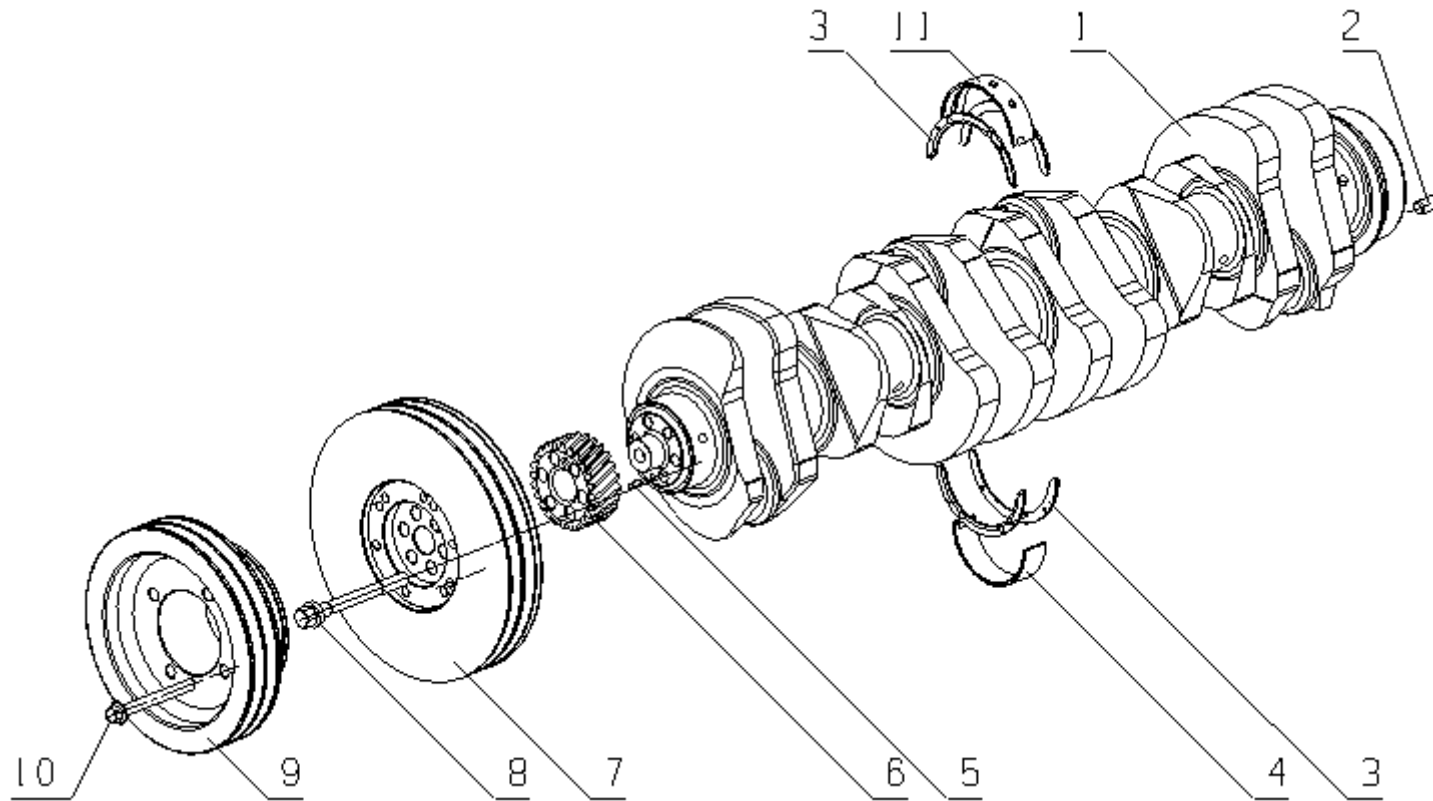
序号 No.	图 号 Part No.	名 称	Part Name	数量 Qty.	备注 Remarks
1	J3600-1004002A	气环	Compression ring	6	
2	J3600-1004003	刮油环	Oil control ring	6	
3	J3600-1004100	油环部件	Oil control ring parts	6	
	J3600-1004002A*	活塞环组件	Piston ring subassembly	6	包括 Including 1、2、3
4	J3600-1004001	活塞	Piston	6	
5	A30-1004019	活塞销	Piston pin	6	
6	Q43040	挡圈 40	Retaining ring 40	12	
7	A3000-1004200	连杆部件	Connecting rod part	6	
8	430-1004022C	连杆轴瓦	Connecting rod bearing shell	12	

EWP=Easy wear part (易损件)

图 Drawing

5、J1A17-1005000/01 曲轴减振器总成

Crankshaft Vibration Damper Assembly



5、J1A17-1005000/01 曲轴减振器总成

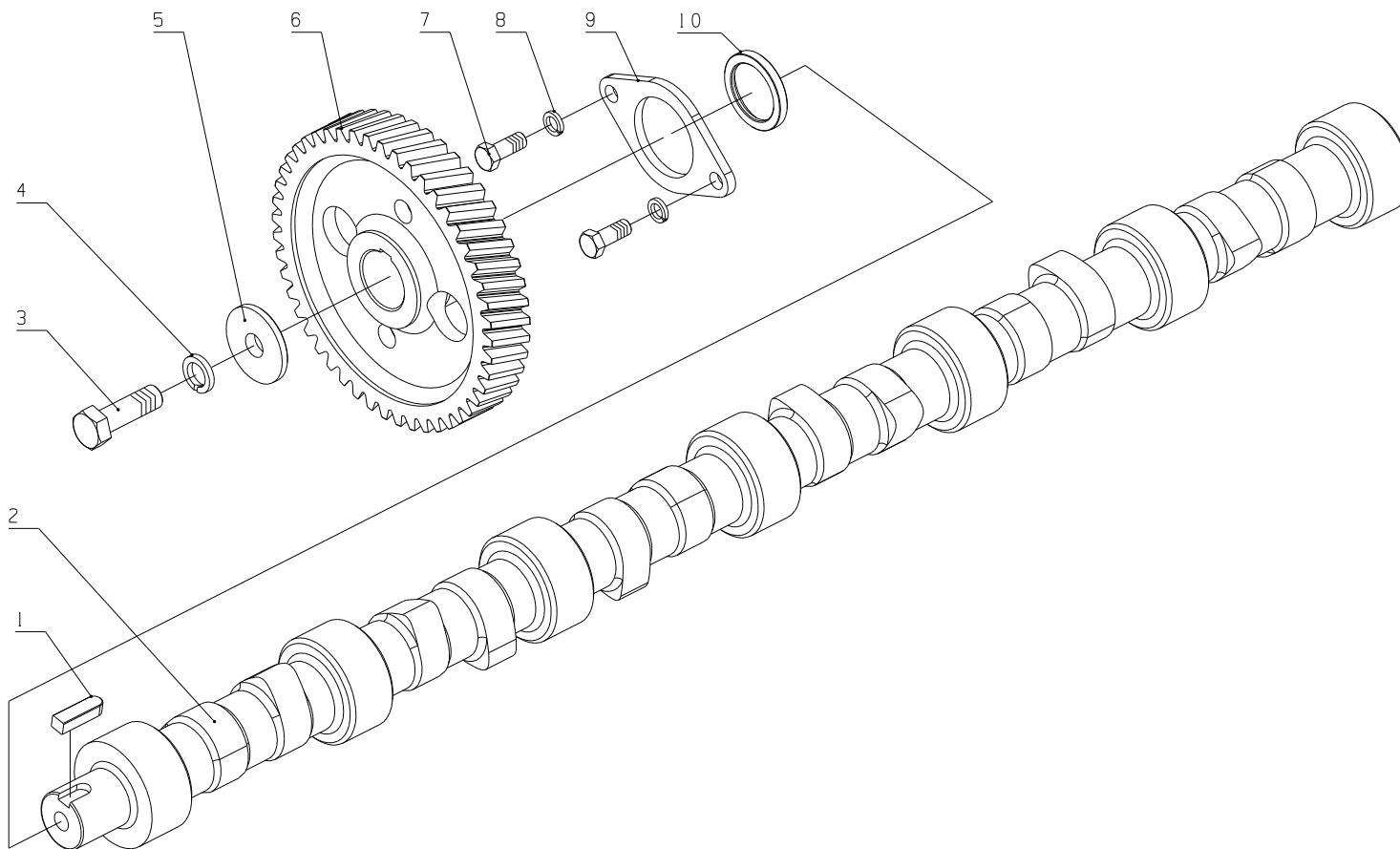
Crankshaft Vibration Damper Assembly

序号 No.	图 号 Part No.	名 称	Part Name	数量 Qty.	备注 Remarks
1	J3600-1005015A	曲轴	Crankshaft	1	
2	YC24-B1226	圆柱销 12X26	Stud pin 12X26	1	
3	6105Q-1005058A	曲轴止推片	Camshaft thrust plate	4	易损件 EWP
4	475D-1005055A	主轴瓦（下）	Main bearing(lower)	7	
5	A3100-1005018	扁销	Flat pin	2	
6	J3600-1005021	曲轴正时齿轮	Crankshaft timing gear	1	
7	J3600-1005030C	曲轴皮带轮总成	Crankshaft pulley assembly	1	
8	J3600-1005034	紧固螺栓	Fastening bolt	6	
9	J62F3-1005016	附加皮带轮	Additional belt pulley	1	
10	Q1841090TF2	螺栓 M10X90	Bolt M10X90	4	
11	475D-1005054A	主轴瓦（上）	Main bearing(upper)	7	

EWP=Easy wear part (易损件)

图 Drawing

6、630-1006000A/02 凸轮轴总成 Camshaft Assembly



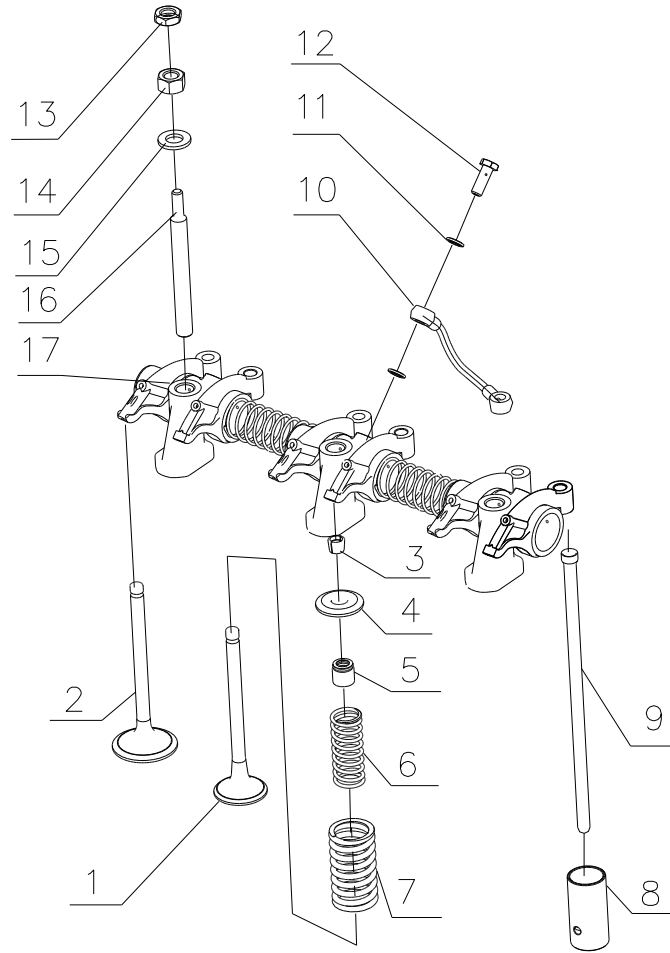
6、630-1006000A/02 凸轮轴总成 Camshaft Assembly

序号 No.	图 号 Part No.	名 称	Part Name	数量 Qty.	备注 Remarks
1	GB/T1096-C0828	键 C8×28	Key C8×28	1	易损件 EWP
2	630-1006015A	凸轮轴	Camshaft	1	
3	Q150B1238TF2	螺栓 M12×38	Bolt M12×38	1	
4	Q40312	垫圈 12	Washer 12	1	
5	630-1006019	垫圈	Washer	1	
6	6105Q-1006021	凸轮轴正时齿轮	Camshaft timing gear	1	
7	Q/YC1820820TF2	螺栓 M8×20	Bolt M8×20	2	
8	Q40308	垫圈 8	Washer 8	2	
9	6105Q-1006016	凸轮轴止推片	Camshaft thrust plate	1	
10	6105Q-1006017	隔圈—凸轮轴正时齿轮	Spacer-camshaft timing gear	1	

EWP=Easy wear part (易损件)

图 Drawing

7、J4200-1007000/02 气门挺杆总成 Valve Tappet Assembly



7、J4200-1007000/02 气门挺杆总成 Valve Tappet Assembly

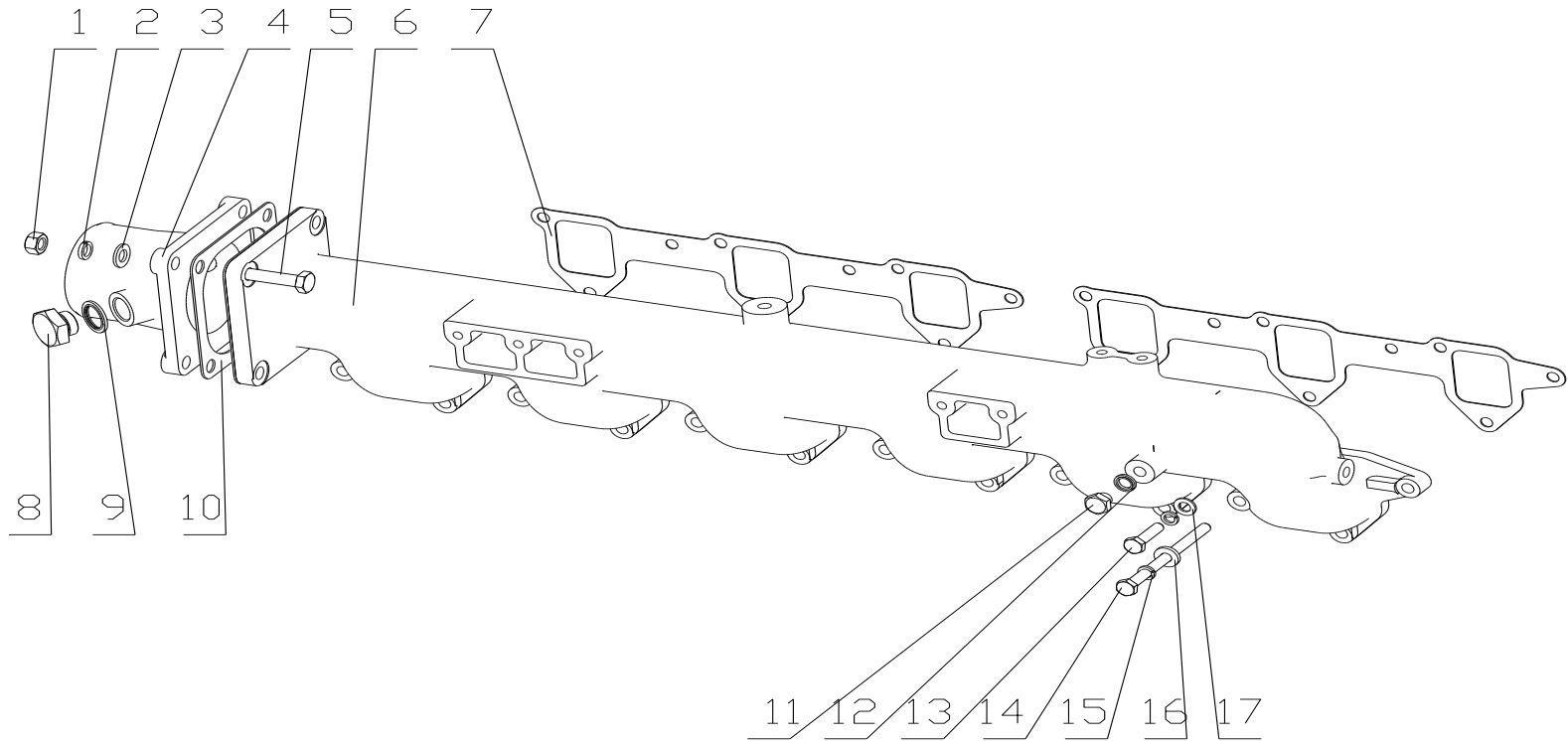
序号 No.	图 号 Part No.	名 称	Part Name	数量 Qty.	备注 Remarks
1	J3000-1003103	排气门	Exhaust valve	6	
2	D30-1003111A	进气门	Intake valve	6	
3	150-1007021E	气门锁夹	Valve stem locks	24	
4	D30-1003116	气门弹簧上座	Valve spring seat(upper)	12	
5	430-1007016A	气门杆油封	Valve stem seal	12	
6	6105Q-1007023	气门内弹簧	Valve inner spring	12	
7	6105Q-1007022	气门外弹簧	Valve outer spring	12	
8	6105Q-1007091A	挺杆	Tappet	12	
9	6105QA-1007081B	推杆	Push rod	12	
10	A3000-1007074	通油管焊接件	Oil pipe weldment	2	
11	Q/YC149-8	复合式密封垫圈 8	Compound seal washer 8	8	
12	6105Q-1007073	接头螺栓	Joint bolt	4	
13	Q350B12	螺母 M12	Nut M12	6	
14	Q340B12	螺母 M12	Nut M12	6	
15	A30-1007092	垫圈	Washer	6	
16	6105QA-1007035A	摇臂轴座固定螺柱	Fixing stud, rocker-arm shaft seat	6	
17	J3100-1007100B	摇臂轴部件	Rocker-arm shaft part	2	

EWP=Easy wear part (易损件)

图 Drawing

8、J4097-1008100/03 & J41JA-1008500/06 进气管部件 & 进气接管部件

Intake Pipe Parts & Intake Connecting Pipe Parts



8、J4097-1008100/03 & J41JA-1008500/06 进气管部件 & 进气接管部件

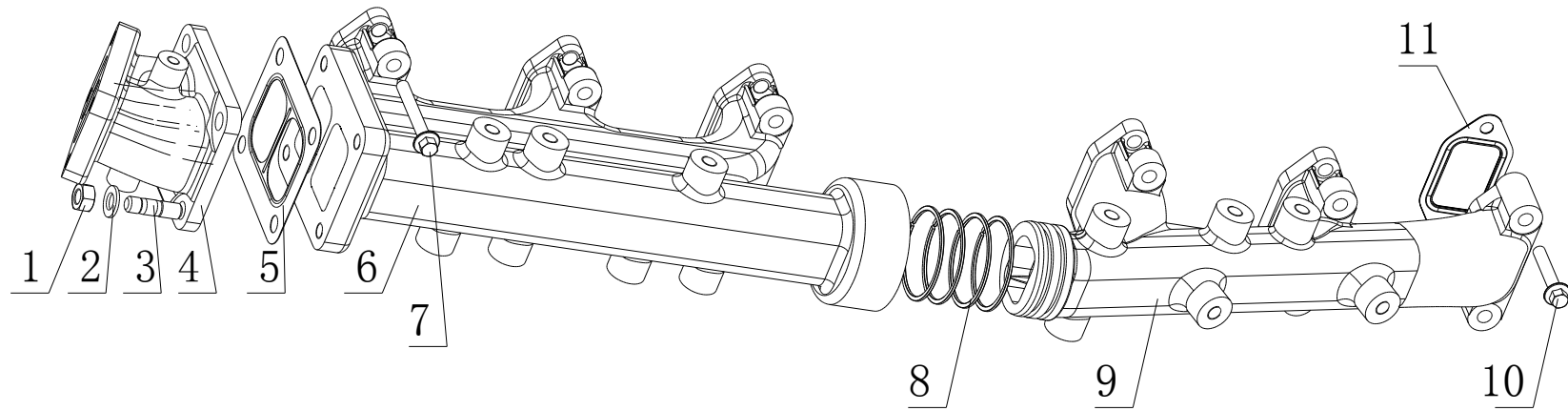
Intake Pipe Parts & Intake Connecting Pipe Parts

序号 No.	图 号 Part No.	名 称	Part Name	数量 Qty.	备注 Remarks
1	Q340B10	螺母 M10	Nut M10	4	
2	Q40310	垫圈 10	Lock Washer 10	4	
3	Q40110	垫圈 10	Lock Washer 10	4	
4	A3101-1008102	进气接管	Intake connecting pipe	1	
5	Q150B01040	螺栓 M810X40	Bolt M10×40	4	
6	J4215-1008101	进气管	Air intake pipe	1	
7	475D-1008016A	垫片	Gasket	2	易损件 EWP
8	Q/YC198-20	螺塞 M20×1.5	Screw plug M20×1.5	2	
9	Q/YC149-20	复合式密封垫圈 20	Compound seal washer 20	2	易损件 EWP
10	A3100-1008015	进气接管垫片	Intake connecting pipe gasket	1	
11	Q/YC198-10	螺塞 M10×1	Screw plug M10×1	1	
12	Q/YC149-10	复合式密封垫圈 10	Compound seal washer 10	1	易损件 EWP
13	Q150B0832	螺栓 M8×32	Bolt M8×32	12	
14	Q150B08110	螺栓 M8×110	Bolt M8×110	6	
15	Q40308	垫圈 8	Washer 8	18	
16	6105Q-3509013	垫圈	Washer	6	
17	Q40108	垫圈 8	Washer 8	12	

EWP=Easy wear part (易损件)

图 Drawing

9、J4218-1008200/09 排气管部件 Exhaust Pipe Parts



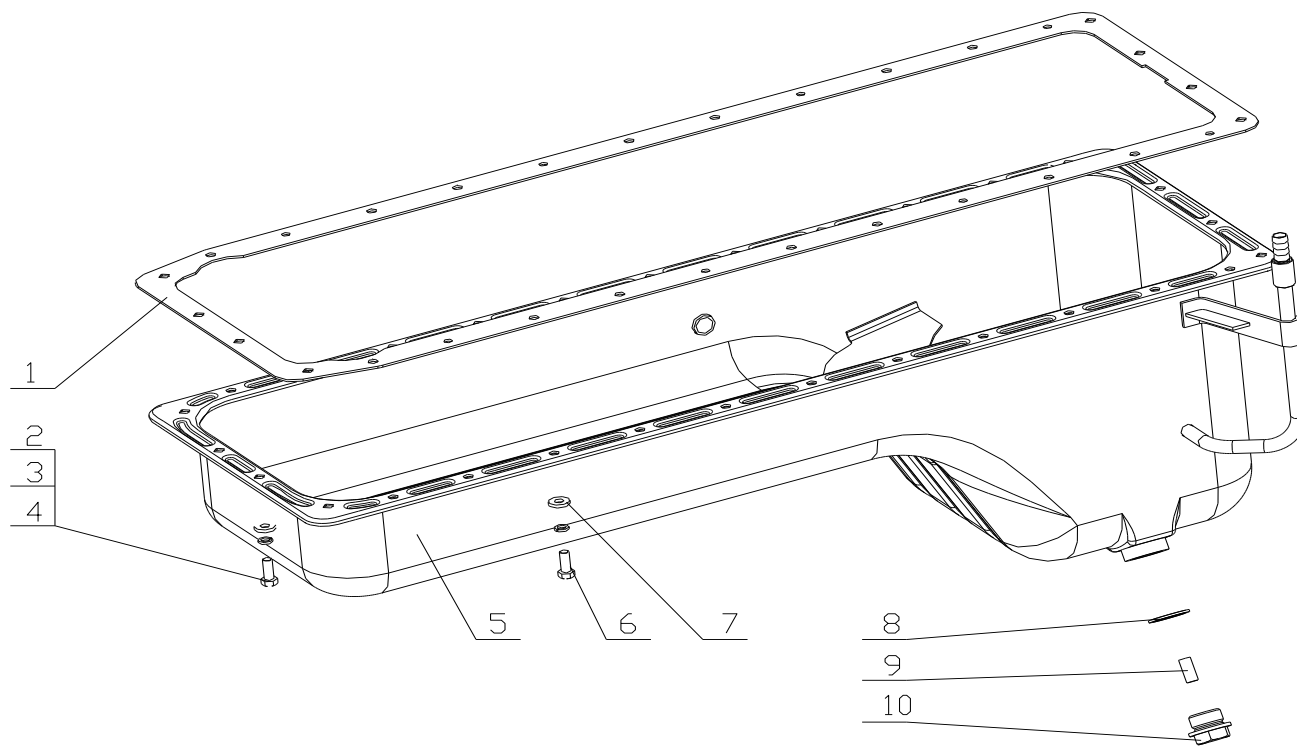
9、J4218-1008200/09 排气管部件 Exhaust Pipe Parts

序号 No.	图号 Part No.	名称	Part Name	数量 Qty.	备注 Remarks
1	Q341B10	螺母 M10X1	Nut M10X1	4	
2	Q40110	垫圈 10	Washer 10	4	
3	Q1211025	螺柱 M10X1X25	Stud	4	
4	J4218-1008208	排气接管	Exhaust connecting pipe	1	
5	150-1118012B	增压器垫片	Turbocharger gasket	1	
6	J4218-1008202	后排气管	Rear exhaust pipe	1	
7	Q1840860TF2	螺栓 M8X60	Bolt M8X60	10	
8	M1000-1008223	密封环	Sealing ring	4	
9	J4218-1008201A	前排气管	Front exhaust pipe	1	
10	Q1840845TF2	螺栓 M8X45	Bolt M8X45	2	
11	D2000-1008250B	排气管垫片组件	Exhaust pipe gasket component	6	

EWP=Easy wear part (易损件)

图 Drawing

10、J4218-1009000/03 油底壳总成 Oil Sump Assembly



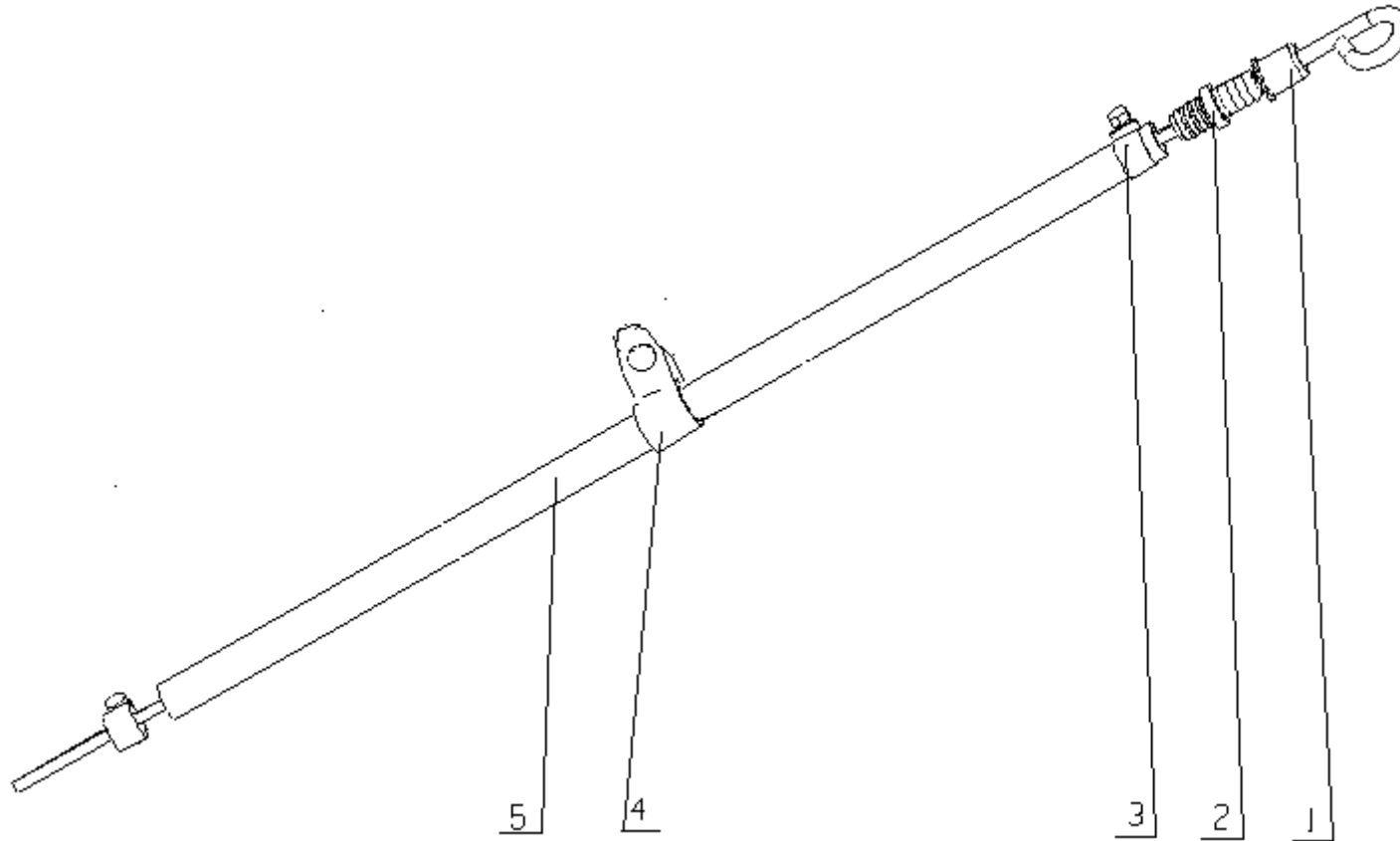
10、J4218-1009000/03 油底壳总成 Oil Sump Assembly

序号 No.	图 号 Part No.	名 称	Part Name	数量 Qty.	备注 Remarks
1	J3200-1009012	油底壳垫片	Oil sump gasket	1	
2	D30-1009102A	垫圈	Washer	4	
3	Q40308	垫圈 8	Washer 8	30	
4	Q/YC1820816	螺栓 M8×16	Bolt M8×16	6	
5	J4218-1009040A	油底壳组件	Oil sump subassembly	1	
6	Q/YC1820820	螺栓 M8×20	Bolt M8×20	26	
7	6105Q-3509013	垫圈	Washer	26	
8	Q/YC149-27	复合式密封垫圈 27	Compound seal washer 27	1	
9	6105Q-1009032A	放油塞磁铁	Oil drain plug magnet	1	
10	6105Q-1009031C	放油塞	Oil drain plug	1	

EWP=Easy wear part (易损件)

图 Drawing

11、J42A1-1028000/03 油标尺总成 Oil Dipstick Assembly



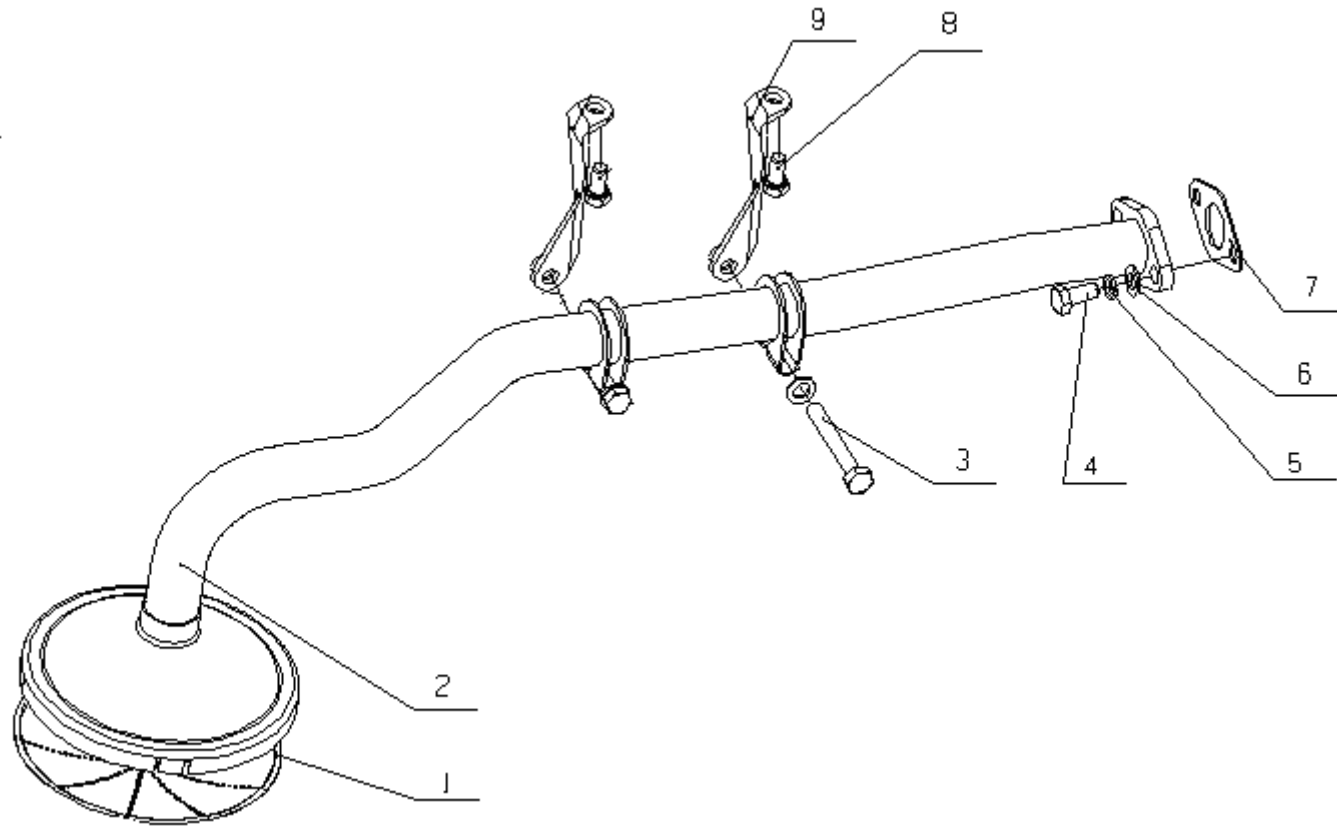
11、J42A1-1028000/03 油标尺总成 Oil Dipstick Assembly

序号 No.	图 号 Part No.	名 称	Part Name	数量 Qty.	备注 Remarks
1	J3611-1009080	油标尺焊接件	Oil dipstick weldment	1	
2	F30SA-1028170	油标尺座组件	Oil dipstick seat components	1	
3	Q67616	环箍	Loop hoop	2	
4	151-1002082	管夹	Pipe clamp	1	
5	388-1002082A	尼龙管	Nylon pipe	1	

EWP=Easy wear part (易损件)

图 Drawing

12、J4218-1010000/07 机油收集器总成 Oil Collector Assembly



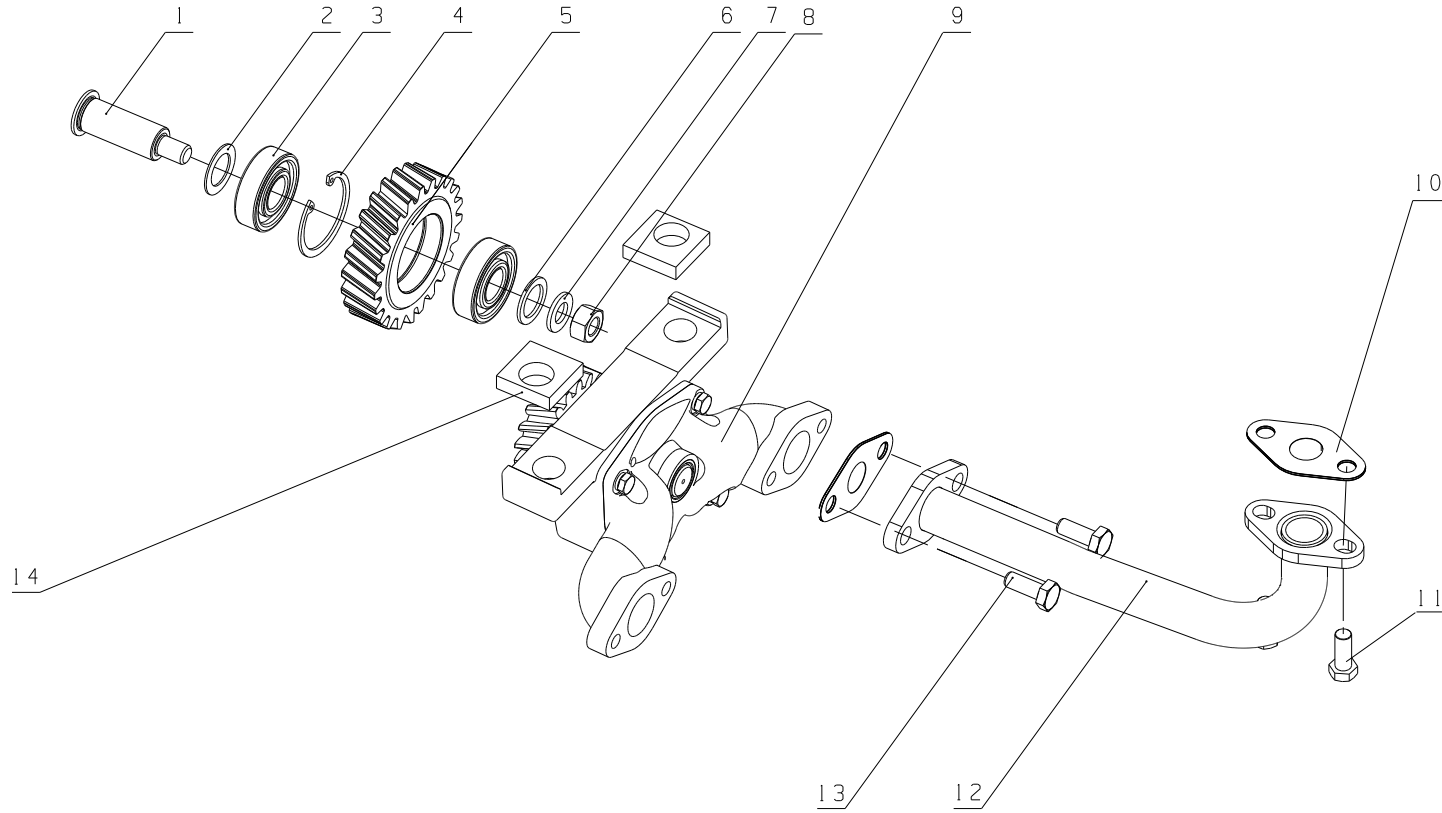
12、J4218-1010000/07 机油收集器总成 Oil Collector Assembly

序号 No.	图 号 Part No.	名 称	Part Name	数量 Qty.	备注 Remarks
1	6105QA-1010130B	滤网总成	Filter screen assembly	1	
2	J4218-1010100A	吸油管部件	Oil suction pipe parts	1	
3	Q150B0860TF2	螺栓 M8×60	Bolt M8×60	2	
4	Q/YC1820820TF2	螺栓 M8×20	Bolt M8×20	2	
5	Q40308	垫圈 8	Lock Washer 8	6	
6	Q40108	垫圈 8	Lock Washer 8	2	
7	430-1010001A	垫片结合件	Gasket component	1	易损件 EWP
8	Q150B0816TF2	螺栓 M8×16	Bolt M8×16	2	
9	6105QJ-1010020A	管夹焊接件 (二)	Pipe clamp weldment(II)	1	

EWP=Easy wear part (易损件)

图 Drawing

13、B3000-1011010/06 机油泵组件 Oil Pump Assembly



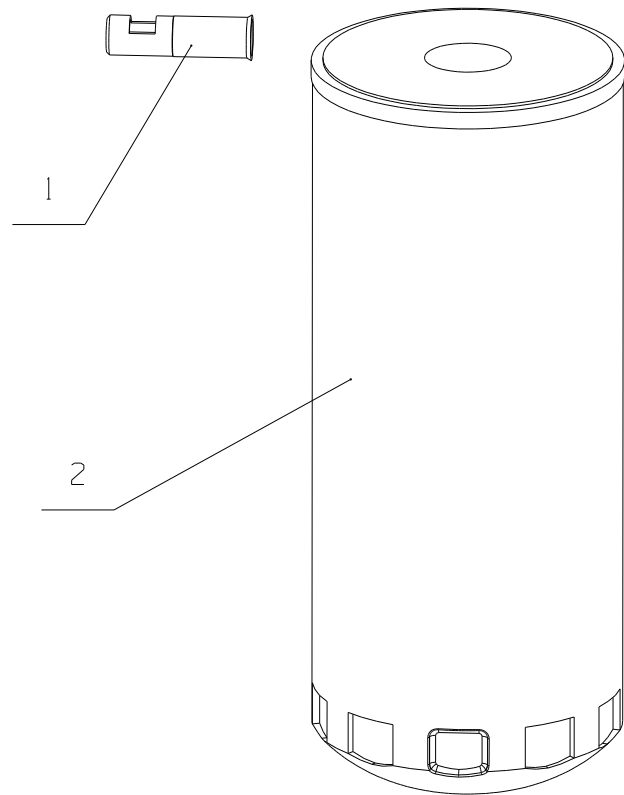
13、B3000-1011010/06 机油泵组件 Oil Pump Assembly

序号 No.	图 号 Part No.	名 称	Part Name	数量 Qty.	备注 Remarks
1	430-1011013	机油泵中间齿轮轴	Middle gear shaft, Oil pump	1	
2	430-1011014	垫圈-中间齿轮	Washer-middle gear	1	易损件 EWP
3	GB/T276-6203	滚动轴承 6203	Rolling bearing 6203	2	
4	Q43040	挡圈 40	Retainer 40	1	易损件 EWP
5	430-1011011	机油泵中间齿轮	Oil pump middle gear	1	
6	430-1011012	间隔垫	Spacer	1	
7	Q40310	垫圈 10	Lock washer 10	1	
8	Q341B10	螺母 M10×1	Nut M10×1	1	
9	B3000-1011020A	机油泵部件	Oil pump part	1	
10	6105QA-1010110A	垫片结合件	Gasket component	2	易损件 EWP
11	Q1840820TF2	螺栓 M8×20	Bolt M8×20	2	
12	430-1011040	机油出油管总成	Oil outlet pipe assembly	1	
13	Q1840820TF2	螺栓 M8×20	Bolt M8×20	2	
14	6105Q-1011015A	机油泵调整垫片	Oil pump adjusting washer	适 量 amount	Proper 易损件 EWP

EWP=Easy wear part (易损件)

图 Drawing

14、J1AD2-1012000/02 机油滤清器总成 Oil Filter Assembly



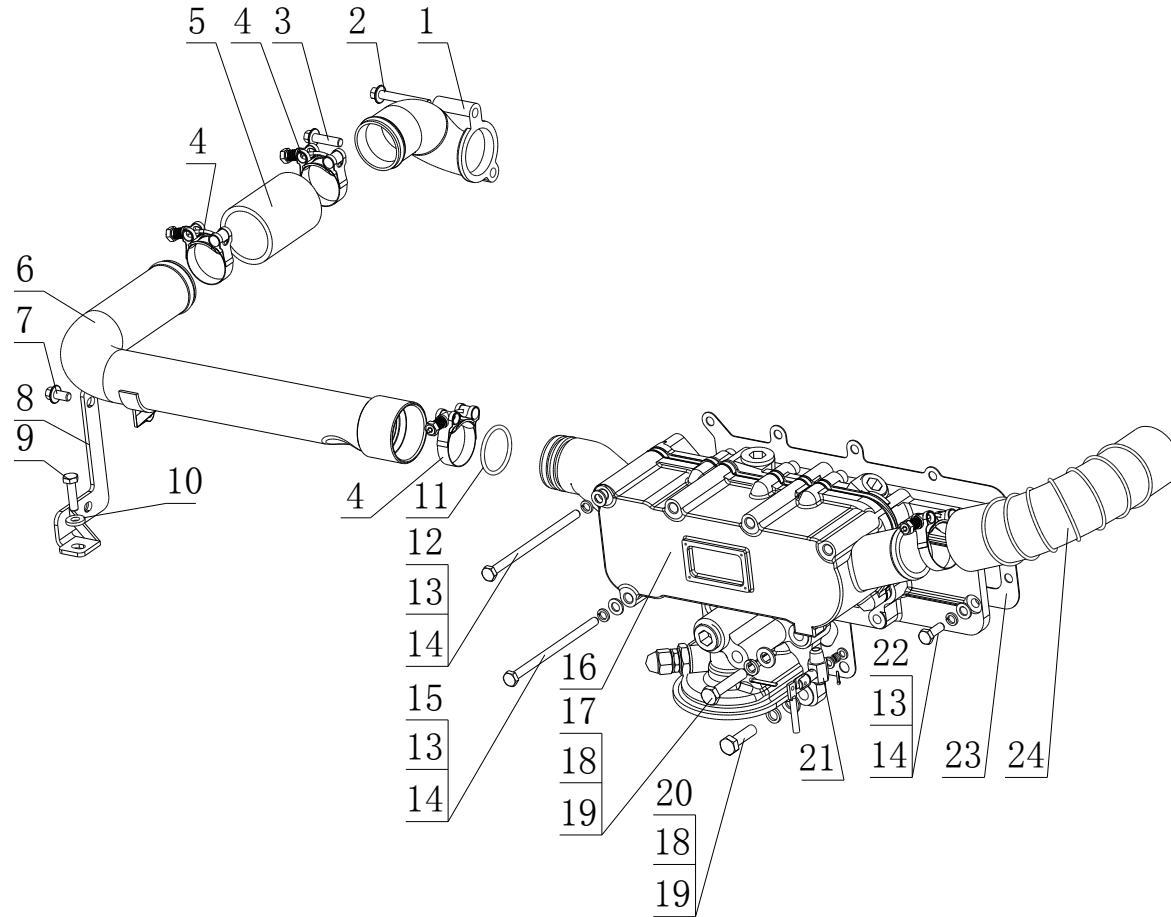
14、J1AD2-1012000/02 机油滤清器总成 Oil Filter Assembly

序号 No.	图 号 Part No.	名 称	Part Name	数量 Qty.	备注 Remarks
1	6105Q-1012001	纸滤卸油导管	Paper-filter oil drain pipe	1	
2	J65F1-1012020A	机油滤清器	Oil filter	1	易损件 EWP

EWP=Easy wear part (易损件)

图 Drawing

15、J1A17-1013000/07 机油冷却器总成 Oil Cooler Assembly



15、J1A17-1013000/07 机油冷却器总成 Oil Cooler Assembly

序号 No.	图号 Part No.	名称	Part Name	数量 Qty.	备注 Remarks
1	J8004-1013006	水管接头	Water pipe joint,	1	
2	Q1840855	螺栓 M8X55	Bolt M8X55	1	
3	Q1840830	螺栓 M8X30	Bolt M8X30	1	
4	Q/YC147.1-63	环箍 63	Loop hoop63	4	易损件 EWP
5	3430-1013017C	胶管	Hose	1	易损件 EWP
6	B3100-1013040B	出水管焊接件	Water outlet pipe weldment	1	
7	Q1840815	螺栓 M8X15	Bolt M8X15	1	
8	B3100-1013045	支撑板	Support plate	1	
9	Q150B0830	螺栓 M8X30	Bolt M8X30	2	
10	6105Q-3509013	垫圈	Gasket	3	
11	YC208-C04000S	O形圈 3.55X40	O-ring 3.55X40	2	易损件 EWP
12	Q150B08140	螺栓 M8X140	Bolt M8X140	2	
13	Q40308	垫圈 8	Lock Washer 8	9	
14	Q40108	垫圈 8	Lock Washer 8	9	
15	Q150B08135	螺栓 M8X135	Bolt M8X135	3	
16	3430-1013030C	机油冷却器	Oil cooler	1	
17	Q150B1050	螺栓 M10X50	Bolt M10X50	1	
18	Q40310	垫圈 10	Lock Washer 10	4	
19	Q40110	垫圈 10	Lock Washer 10	4	

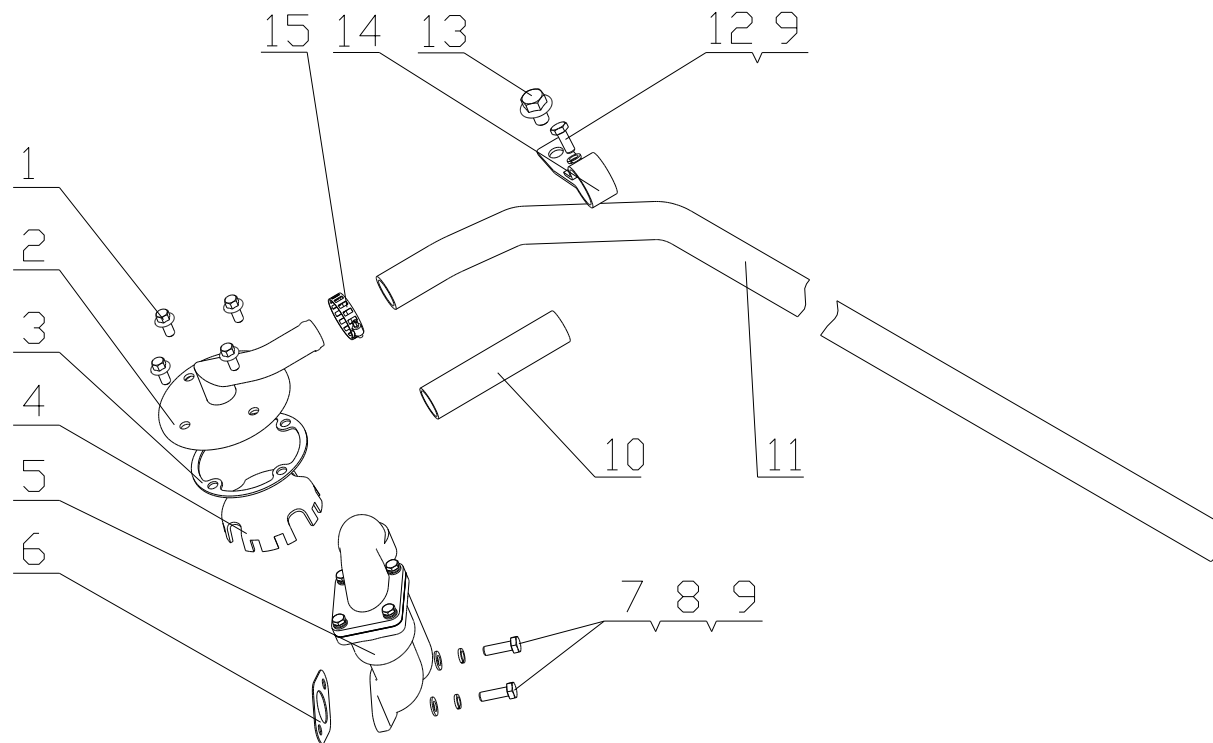
20	Q150B1035	螺栓 M10X35	Bolt M10X35	3	
21	231-1305000	放水开关	Water drain cock	1	
22	Q150B0822	螺栓 M8X22	Bolt M8X22	2	
23	B3100-1013106A	垫片	Gasket	1	易损件 EWP
24	J1000-1013002A	胶管	Hose	1	易损件 EWP

EWP=Easy wear part (易损件)

图 Drawing

16、J4097-1014000/10 曲轴箱通风装置总成

Crankcase Ventilation Device Assembly



16、J4097-1014000/10 曲轴箱通风装置总成

Crankcase Ventilation Device Assembly

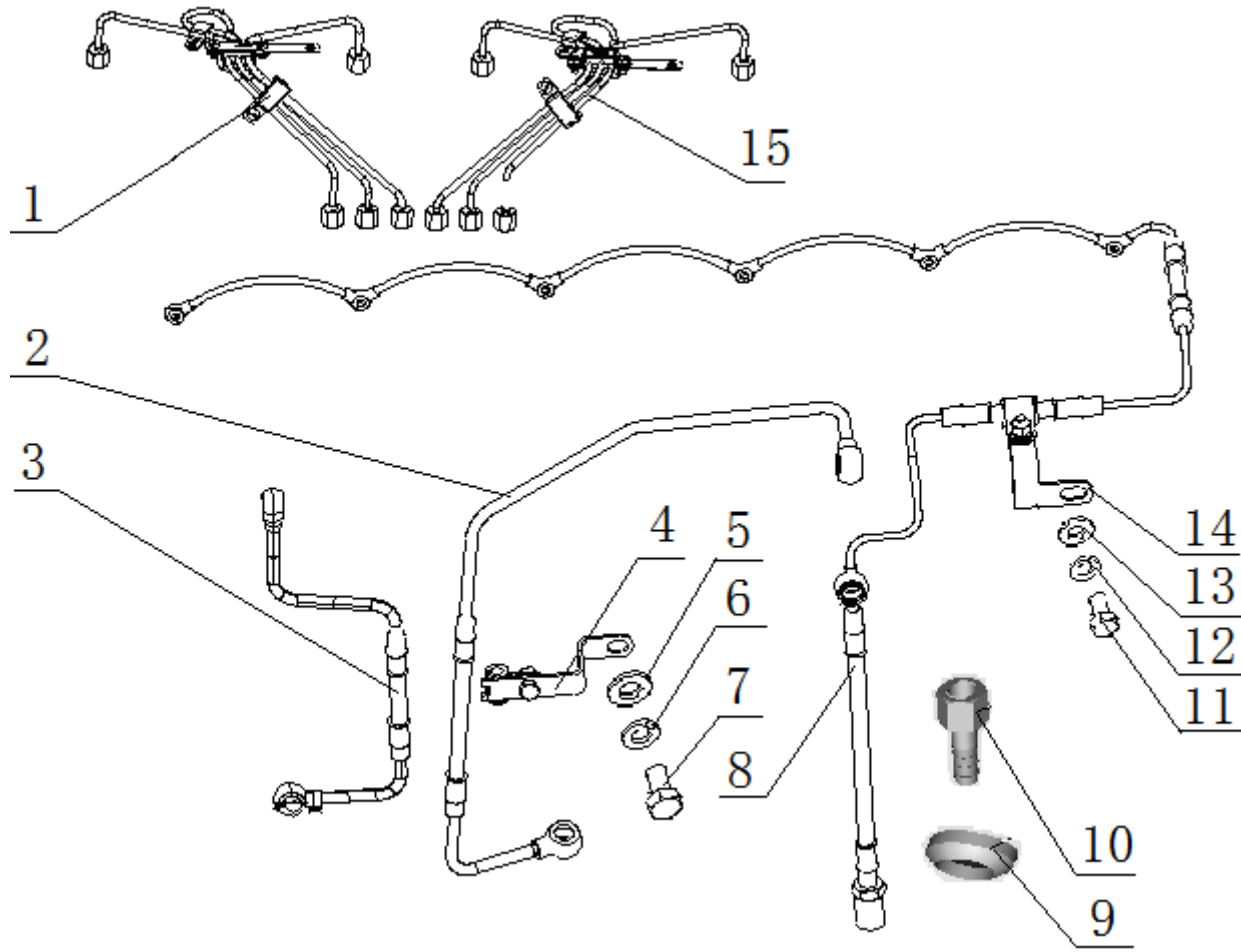
序号 No.	图 号 Part No.	名 称	Part Name	数量 Qty.	备注 Remarks
1	Q1840816	螺栓 M8X16	Bolt M8X16	4	
2	B3220-1003040	上呼吸器焊接件	Upper breather weldment	1	
3	A30-1003044	上呼吸器垫片	Upper breather washer	1	
4	A30-1003046	导流罩	Dome	1	
5	6105Q-1014010A	呼吸器总成	Breather assembly	1	
6	6105Q-1014001A	呼吸器垫片	Breather spacer	1	
7	Q150B0825	螺栓 M8X25	Bolt M8X25	2	
8	Q40108	垫圈 8	Washer 8	2	
9	Q40308	垫圈 8	Washer 8	3	
10	430-1003121	通气软管	Gas hose	1	选装 Optional
11	J41XB-1014003B	通气软管	Gas hose	1	选装 Optional
12	Q150B0820	螺栓 M8X20	Bolt M8X20	1	
13	Q1841216	螺栓 M12X16	Bolt M12X16	1	
14	430-1003140	管夹焊接件 (II)	Clamp weldment(II)	1	
15	Q67638	环箍 38	Loop hoop 38	1	

EWP=Easy wear part (易损件)

图 Drawing

17、J1A18-1104000/03 供给系管路总成

Fuel Supply Pipeline Assembly



17、J1A18-1104000/03 供给系管路总成

Fuel Supply Pipeline Assembly

序号 No.	图号 Part No.	名称	Part Name	数量 Qty.	备注 Remarks
1	B3000-1104010B	高压油管组件 (I)	High-pressure fuel pipe parts I	1	
2	J4108-1104300	输油泵至柴滤器油管部件	Fuel pipe parts from fuel pump to fuel filter	1	
3	J4108-1104400	柴滤器至喷油泵油管部件	Fuel pipe parts from fuel filter to injection pump	1	
4	J4218-1104360	柴滤油管支架组件	Fuel filter pipe bracket subassembly	1	
5	Q150B1020	螺栓 M10X20	Bolt M10X20	1	
6	Q40310	垫圈 10	Lock Washer 10	1	
7	Q40110	垫圈 10	Plane Washer 10	1	
8	J41L1-1104200B	回油管部件	Fuel return pipe	1	临海 选装 optional
	J41L1-1104200A	回油管部件	Fuel return pipe	1	龙口 选装 optional
9	G0228-1104206	密封圈	Seal ring	1	
10	362-1104051	进油管接头	Fuel inlet pipe connector	1	
11	Q150B0816	螺栓 M8X25	Bolt M8X25	1	
12	Q40308	垫圈 8	Lock Washer 8	1	
13	Q40108	垫圈 8	Plane Washer 8	1	
14	J4108-1104260A	回油管管夹支架组件	Bracket subassembly, fuel return pipe clamp	1	
15	B3000-1104020B	高压油管组件 (II)	High-pressure fuel pipe parts II	1	

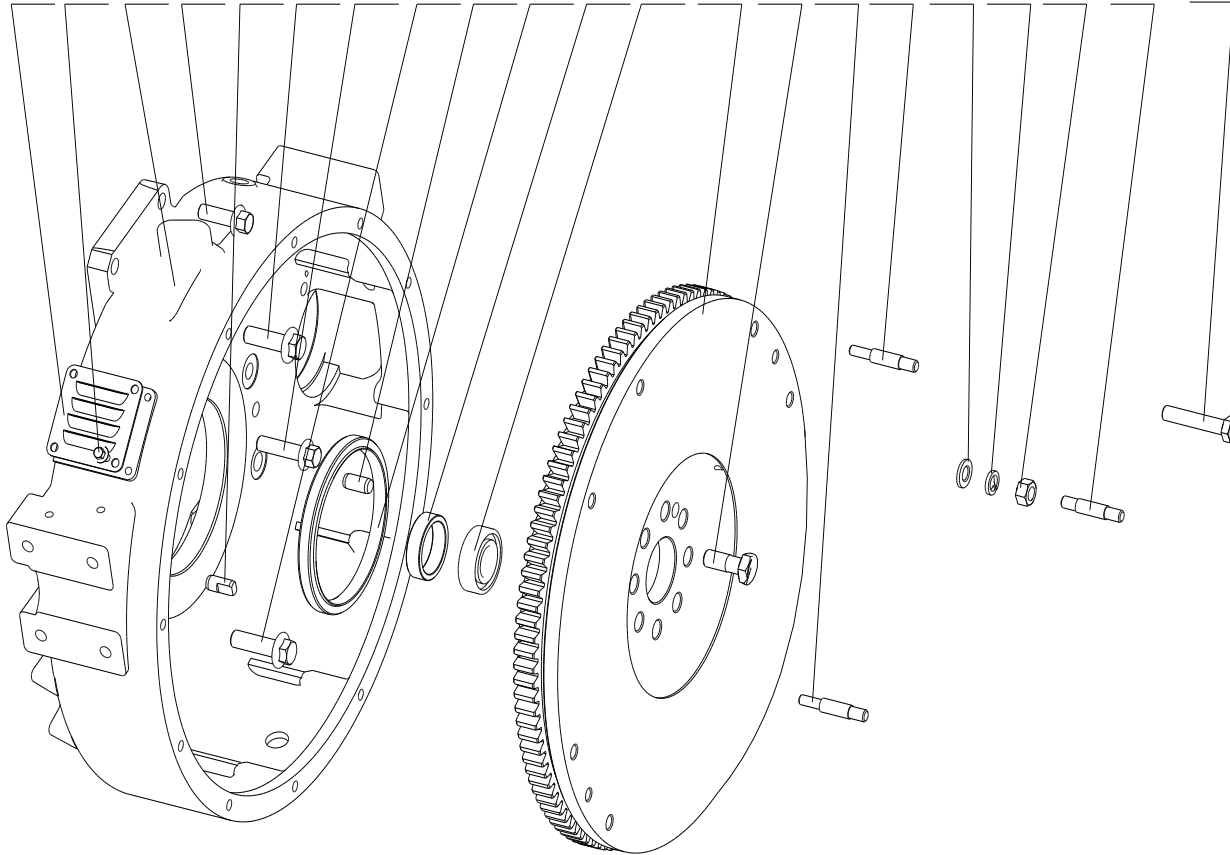
	Q/YC149-14	复合式密封垫圈 14	Compound seal washer 14	12	
--	------------	------------	-------------------------	----	--

EWP=Easy wear part (易损件)

图 Drawing

18、J42QA-1105000/10 柴油滤清器总成 Fuel Filter Assembly

1 2 3 4 5 6 7 8 9 10 11 12 13 14 15 16 17 18 19 20 21



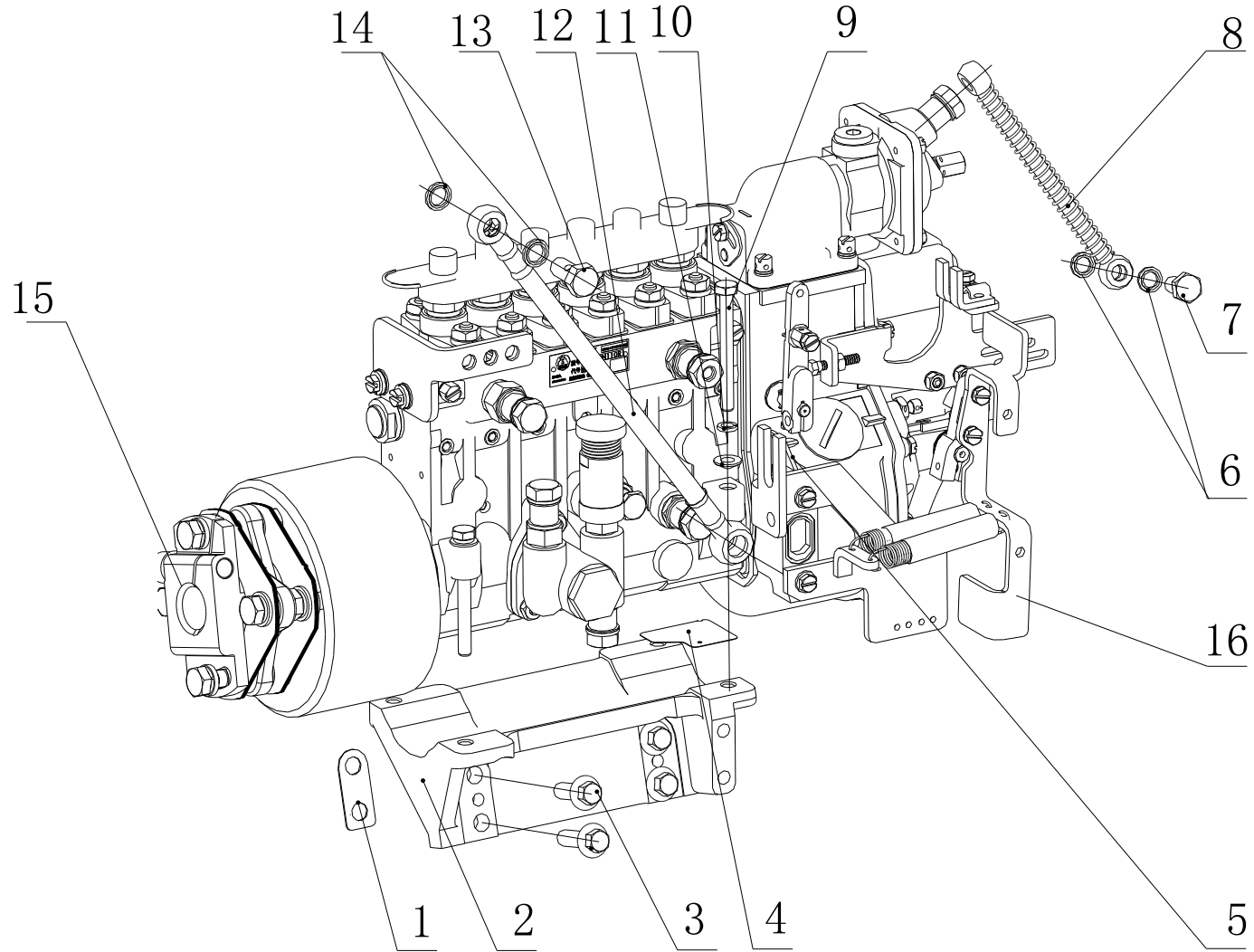
18、J42QA-1105000/10 柴油滤清器总成 Fuel Filter Assembly

序号 No.	图 号 Part No.	名 称	Part Name	数量 Qty.	备注 Remarks
1	Q340B08	螺母 8	Nut8	2	
2	Q40308	垫圈 8	Washer8	2	
3	6105Q-3509013	垫圈	Washer	2	
4	Q1200825	螺柱 M8X325	Bolt M8X25	2	
5	397-1008018B	柴滤托架	Fuel filter bracket	1	
6	Q150B0825TF2	螺栓 M8X25	Bolt M8X25	2	
7	A3000-1105010	水分离器柴滤总成	Water separator & fuel filter assembly	1	易损件 EWP

EWP=Easy wear part (易损件)

图 Drawing

19、J1A99-1111000/03 喷油泵总成 Injection Pump Assembly



19、J1A99-1111000/03 喷油泵总成 Injection Pump Assembly

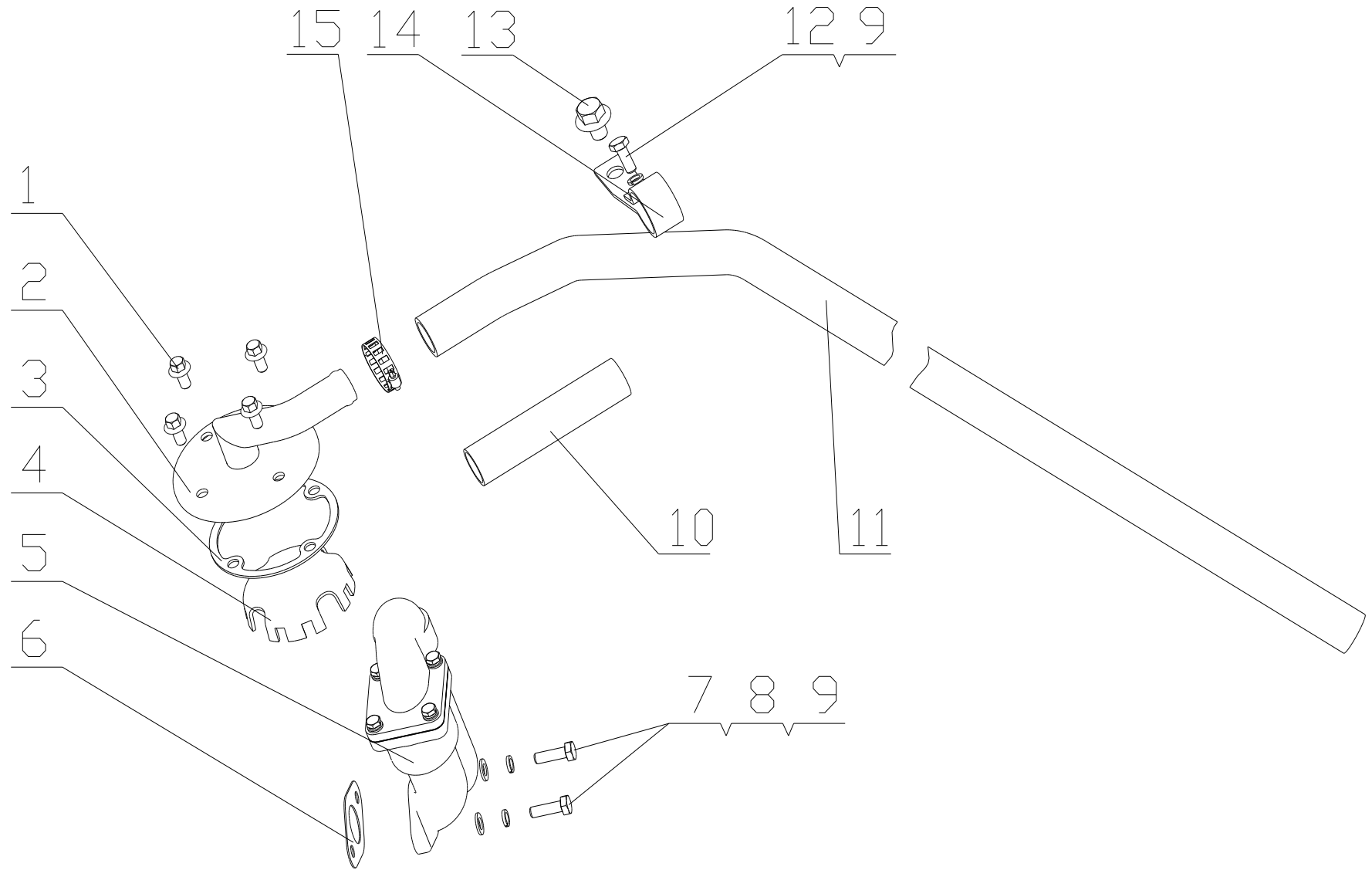
序号 No.	图 号 Part No.	名 称	Part Name	数量 Qty.	备注 Remarks
1	6105Q-1111006	调整垫片	Adjusting gasket	适量 Proper amount	易损件 EWP
2	B3000-1111005	喷油泵托架	Injection pump bracket	1	
3	Q1841030TF2	螺栓 M10×30	BoltM10×30	4	
4	6105Q-1111007	弧面调整垫片	Adjusting gasket	适量 Proper amount	易损件 EWP
5	J4000-1111100-493R	喷油泵	Injection pump	1	选装 衡阳泵 optional, Hengyang pump
	B3000-1111A-21-493	柱塞偶件 (南岳)	Plunger matching parts	6	
	B3000-1111A-22-493	出油阀偶件 (南岳)	Fuel outlet valve matching parts	6	
	B3000-1111030-179	输油泵 (SPB/H2208)	Fuel pump	1	
	B3000-1111040A-179	提前器总成 (JQ814)	Advancer assembly	1	
	J4000-1111100-172R	喷油泵	Injection pump	1	选装 无锡泵 optional, Wuxi pump
	J4200-1111700-179	提前器 (Q837)	Advancer	1	
	J4200-1111140-172	输油泵	Fuel pump	1	
	J4200-1111-22-172	出油阀	Fuel outlet valve	6	
	B3000-1111A-21-172	柱塞	Plunger	6	
6	Q/YC149-10	复合式密封垫圈 10	Compound seal washer 10	4	

7	Q/YC901-1C1010	铰接螺栓 M10×1	Hinge bolt M10X1	1	
8	B3000-1111070B	增压补偿管	Turbo compensation pipe	1	
9	Q150B0875	螺栓 M8×75	Bolt M8X75	4	
10	Q40308	垫圈 8	Lock Washer 8	4	
11	GB/T849-8	垫圈 8	Lock Washer 8	4	
12	B3000-1111060	回油管组件	Fuel return pipe parts	1	
13	430-1111034	接头螺栓	Joint bolt	1	
14	Q/YC149-12	复合式密封垫圈 12	Compound seal washer 10	2	易损件 EWP
15	B3000-1111080C	联轴器	Coupling	1	随泵带来 With pump
16	D08ND-1111070A	油门拉线支架	Throttle cable bracket	1	随泵带来 With pump

EWP=Easy wear part (易损件)

图 Drawing

20、A1101-1112000/02 喷油器总成 Injector Assembly



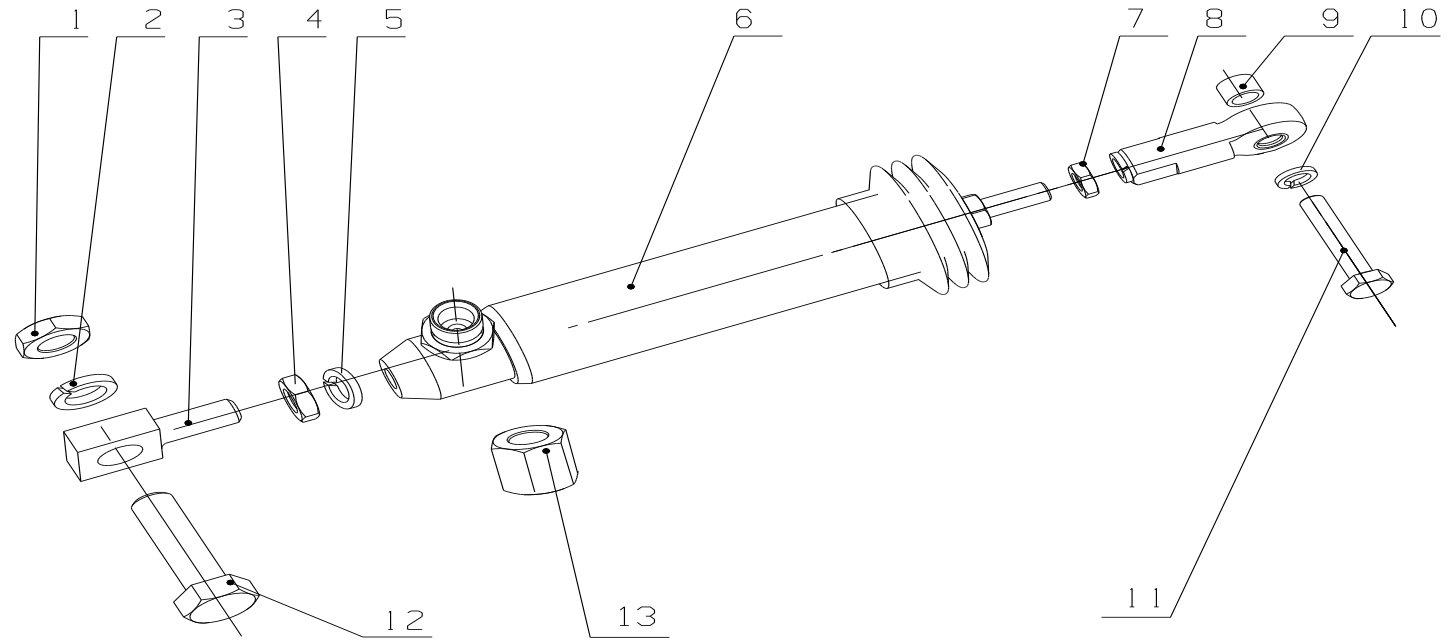
20、A1101-1112000/02 喷油器总成 Injector Assembly

序号 No.	图 号 Part No.	名 称	Part Name	数量 Qty.	备注 Remarks
1	630-1112001	喷油器垫片	Injector gasket	6	易损件 EWP
2	A3500-1112010C	喷油器	Injector	6	北油 Beiyou
	A3500-1112050C	油嘴偶件	Jet matching parts	6	
3	Q/YC901-1C0610	铰接螺栓 M6X1	Articulated bolt M6X1	6	
4	Q/YC149-6	复合式密封垫圈 6	Sealing washer	12	易损件 EWP
5	A30-1112022A	固定板	Lock plate	6	
6	Q1201035TF2	螺柱 M10×35	Bolt M10×35	12	
7	Q40310	垫圈 10	Washer10	12	易损件 EWP
8	Q340B10	螺母 M10	Nut M10	12	

EWP=Easy wear part (易损件)

图 Drawing

21、J4218-1115000/01 断油机构总成 Fuel Cut-off System Assembly



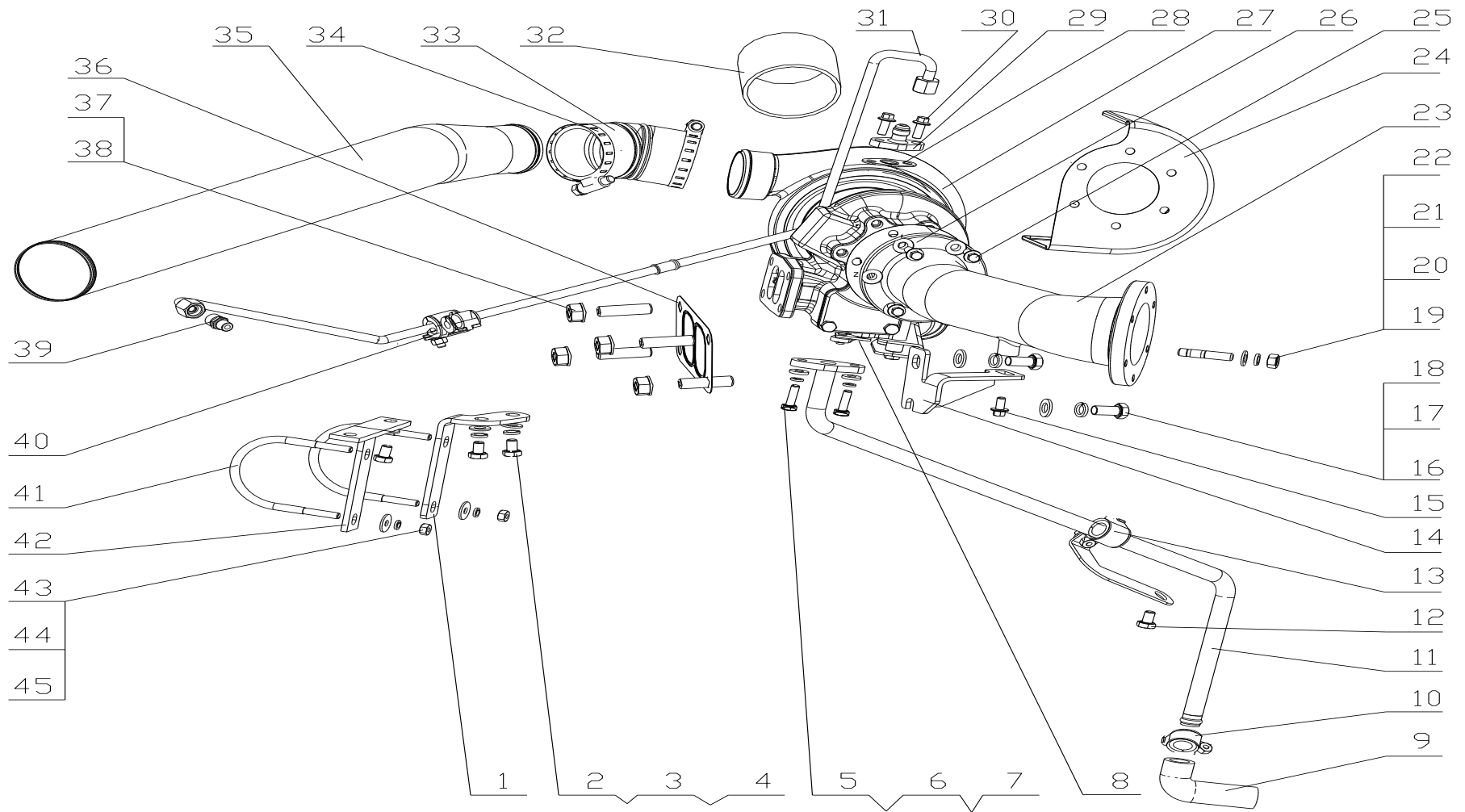
21、J4218-1115000/01 断油机构总成 Fuel Cut-off System Assembly

序号 No.	图 号 Part No.	名 称	Part Name	数量 Qty.	备注 Remarks
1	Q340B10	螺母 M10	Nut M10	2	
2	Q40310	垫圈 10	Washer10	1	
3	188-1115018	停油气缸支撑螺栓	Support bolt, fuel cut-off cylinder	1	
4	Q340B08	螺母 M8	Nut M8	1	
5	Q40308	垫圈 8	Washer8	1	
6	188-1115030B	断油气缸	Fuel cut-off cylinder	1	
7	Q340B06	螺母 M6	Nut M6	2	
8	188-1115020	连接器	Connector	1	
9	150-1115011	拉杆隔套	Pull rod sleeve	2	
10	Q40306	垫圈 6	Washer 6	4	
11	Q150B0635	螺栓 M6X35	Bolt M6×35	1	
12	Q150B1040	螺栓 M10X40	Bolt M10X40	1	
13	J4218-1115005	进气过渡接头	Air intake transition joint	1	

EWP=Easy wear part (易损件)

图 Drawing

22、J4218-1118000/05 增压器总成 Turbocharger Assembly



22、J4218-1118000/05 增压器总成 Turbocharger Assembly

序号 No.	图 号 Part No.	名 称	Part Name	数量 Qty.	备注 Remarks
1	J4218-1118026	压气机出口联接管支架	Compressor outlet connecting pipe bracket	1	
2	Q150B1015	螺栓 M10X15	Bolt M10X15	4	
3	Q40110	垫圈 10	Washer 10	4	
4	Q40310	垫圈 10	Washer 10	4	
5	Q150B0828TF2	螺栓 M8X28	Bolt M8X28	2	
6	Q40308	垫圈 8	Washer 8	2	
7	6105Q-3509013	垫圈	Washer	2	
8	M3600-1118301	垫片	Gasket	1	
9	150-1118052A	φ 20 夹布橡胶弯管	Rubber elbow pipe	1	
10	Q67632	环箍 32	Loop hoop 32	2	
11	J4218-1118340	回油管焊接组件	Fuel return pipe weldments	1	
12	Q1841425	螺栓 M14X25	Bolt M14X25	1	
13	J42H1-1118360	管夹组件	Pipe clamp parts	1	
14	A3540-11180B0	涡轮出口联接管支架焊接件	Turbine outlet connecting pipe bracket	1	
15	Q1840816	螺栓 M8X16	Bolt M8X16	1	
16	Q150B1225TF2	螺栓 M12X25	Bolt M12X25	2	
17	Q40112	垫圈 12	Washer 12	2	
18	Q40312	垫圈 12	Washer 12	2	

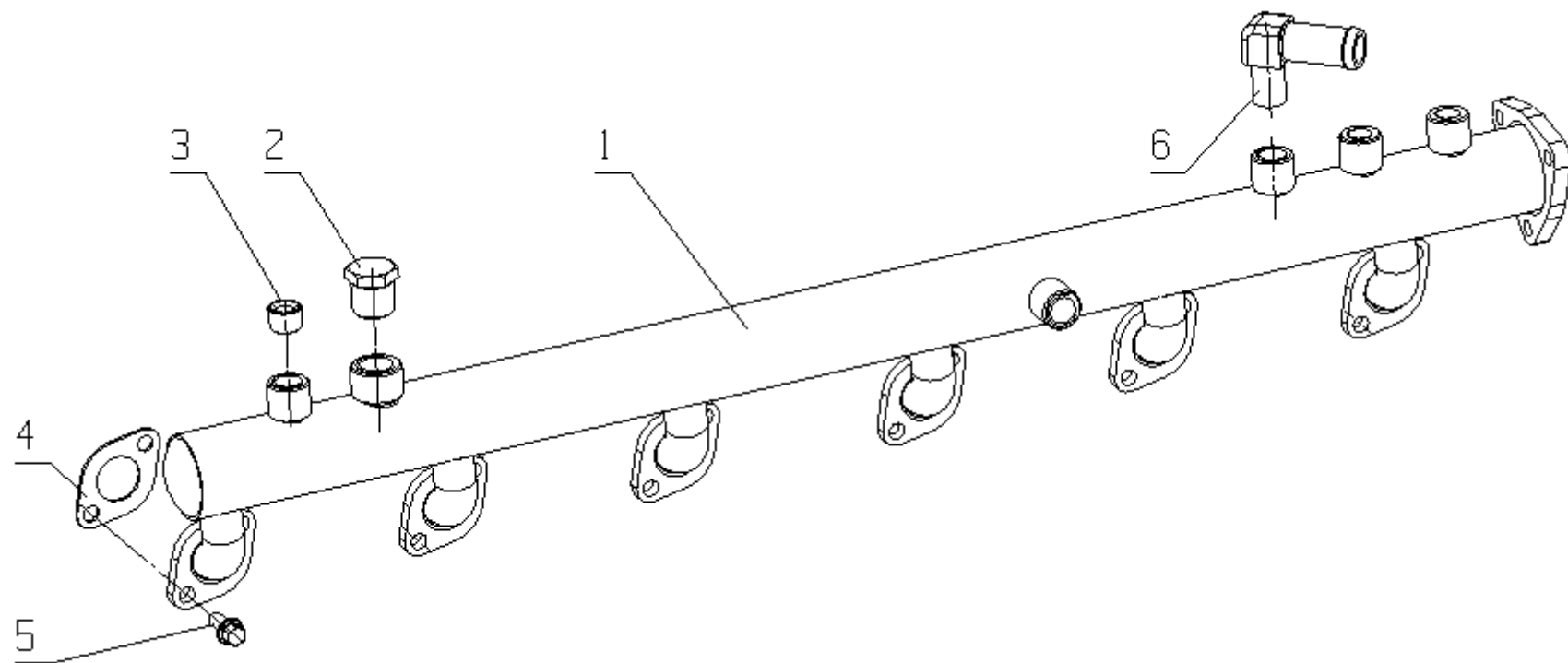
19	Q1201040	螺柱 M10X40	Stud M10X40	6	
20	Q340B10	螺母 M10	Nut M10	6	
21	Q40110	垫圈 10	Washer 10	6	
22	Q40310	垫圈 10	Washer 10	6	
23	J4218-1008203	涡轮后排气接管	Turbine rear exhaust connecting pipe	1	
24	J4218-1118503A	涡壳隔热罩	Heat shroud	1	
25	Q1800830TF2	螺栓 M8X30	Bolt M8X30	6	
26	475D-1008026A	垫片	Gasket	1	
27	J4218-1118100-135	增压器	Turbocharger	1	选装 optional
	J4218-1118100-1181	增压器	Turbocharger	1	选装 optional
28	50-1118031B	1 垫片	Gasket	1	
29	475D-1118211	增压器进油接头	Fuel inlet joint, turbocharger	1	
30	Q1840820TF2	螺栓 M8X20	Bolt M8X20	2	
31	J4218-1118240	进油管焊接组件	Fuel inlet pipe weldments	1	
32	197-1109023	软管	Hose	1	
33	J4218-1118090	增压器连接胶管	Connecting hose, turbocharger	1	
34	Q67683	环箍 83	Loop hoop 83	2	
35	J4218-1118021A	压气机出口联接管	Compressor outlet connecting pipe	1	
36	475D-1118001B	增压器垫片	Turbocharger gasket	1	
37	M3000-1008206B	螺母	Nut	4	
38	150-1118001	双头螺柱	Stud	4	

39	L3000-1118031	增压器进油管接头	Fuel inlet pipe joint, turbocharger	1	
40	J42H1-1118270	管夹组件	Pipe clamp	2	
41	G3209-1119023A	U形螺栓	U-bolt	2	
42	J4218-1118050	压气机出口联接管托架焊接件	Compressor outlet connecting pipe bracket	1	
43	Q340B08	螺母 M8	Nut M8	4	
44	Q40308	垫圈 8	Washer 8	4	
45	Q40208	垫圈 8	Washer 8	4	

EWP=Easy wear part (易损件)

23、J4210-1303000/02 散热器水管及软管总成

Radiator Water Pipe and Hose Assembly



23、J4210-1303000/02 散热器水管及软管总成

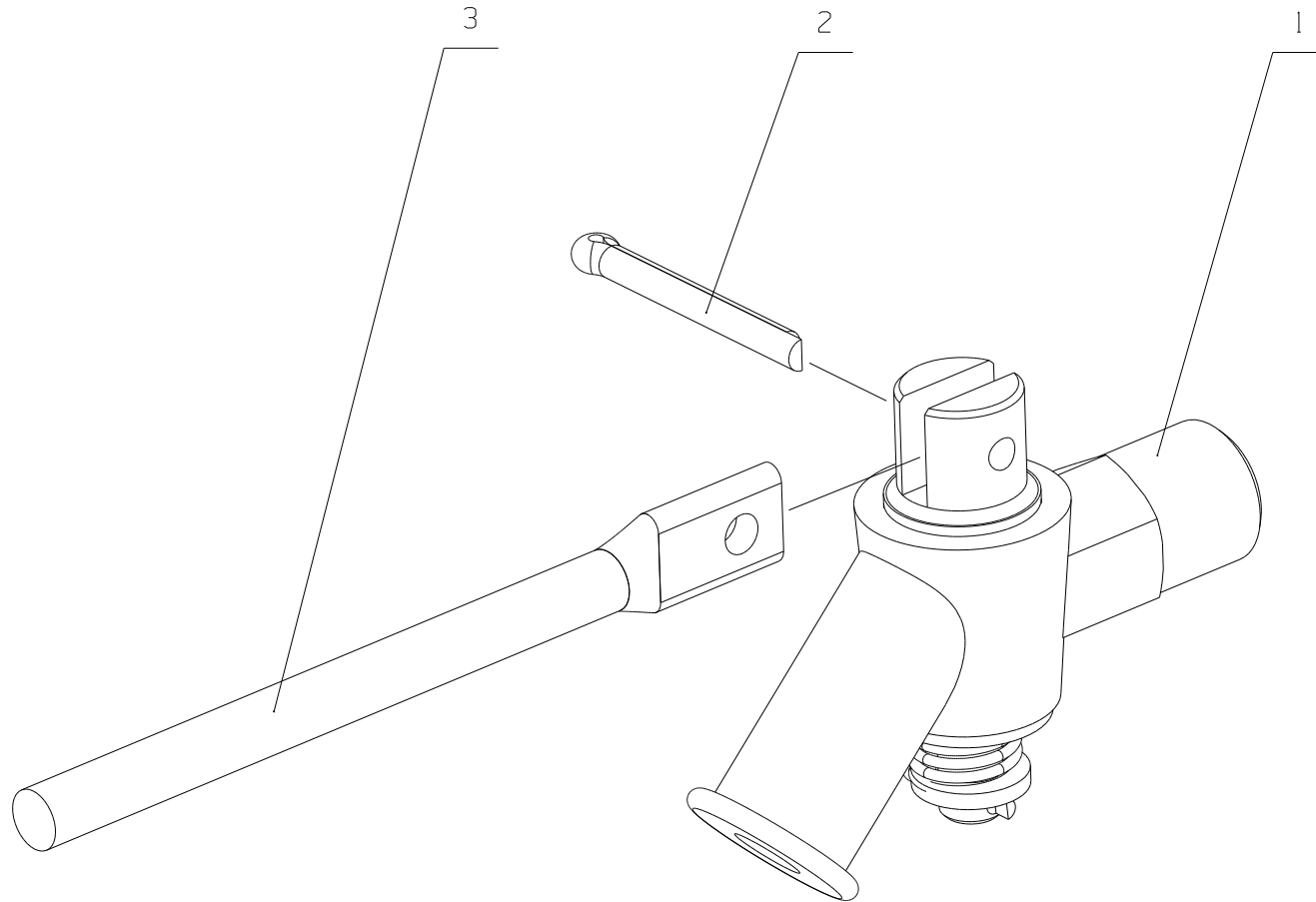
Radiator Water Pipe and Hose Assembly

序号 No.	图 号 Part No.	名 称	Part Name	数量 Qty.	备注 Remarks
1	A3206-1303040B	出水管组件	Water outlet assembly	1	
2	Q618B04	螺塞 NPT 1/2	Screw plug NPT 1/2	1	
3	Q618B03	螺塞 NPT 3/8	Screw plug NPT3/8	1	
4	6105Q-1303015	出水支管垫片	Water outlet manifold gasket	6	易损件 EWP
5	A3206-1002236	螺栓	Bolt	12	
6	J4218-1306007	暖风供水接头	Warm air water supply joint	1	

EWP=Easy wear part (易损件)

图 Drawing

24、631-1305000/06 放水开关总成 Water Drain Cock Assembly



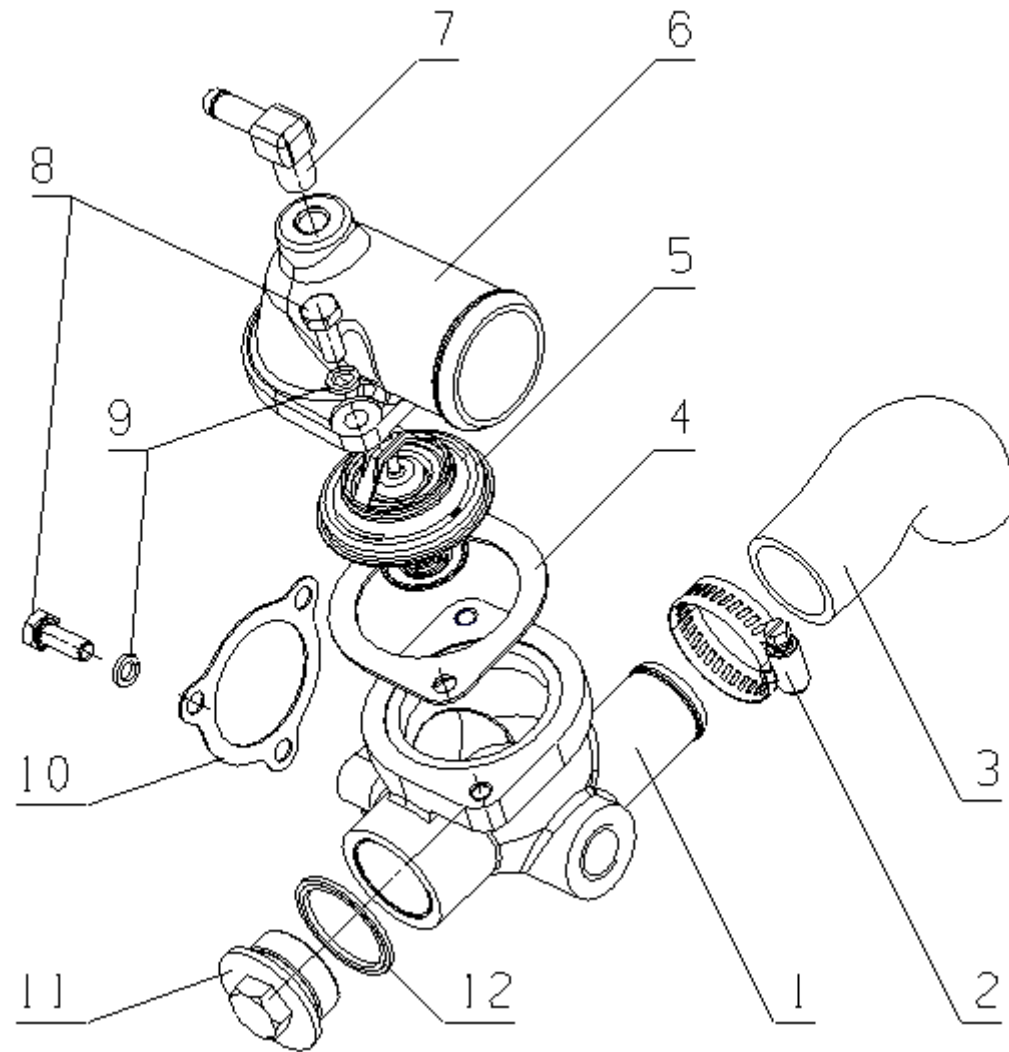
24、631-1305000/06 放水开关总成 Water Drain Cock Assembly

序号 No.	图 号 Part No.	名 称	Part Name	数量 Qty.	备注 Remarks
1	6105Q-1305010A	放水阀部件	Water drain valve parts	1	
2	Q5003220	销 3. 2X20	Pin 3. 2X20	1	
3	150-1305015	操纵杆	Control lever	1	

EWP=Easy wear part (易损件)

图 Drawing

25、J1D17-1306000/04 调温器总成 Thermostat Assembly



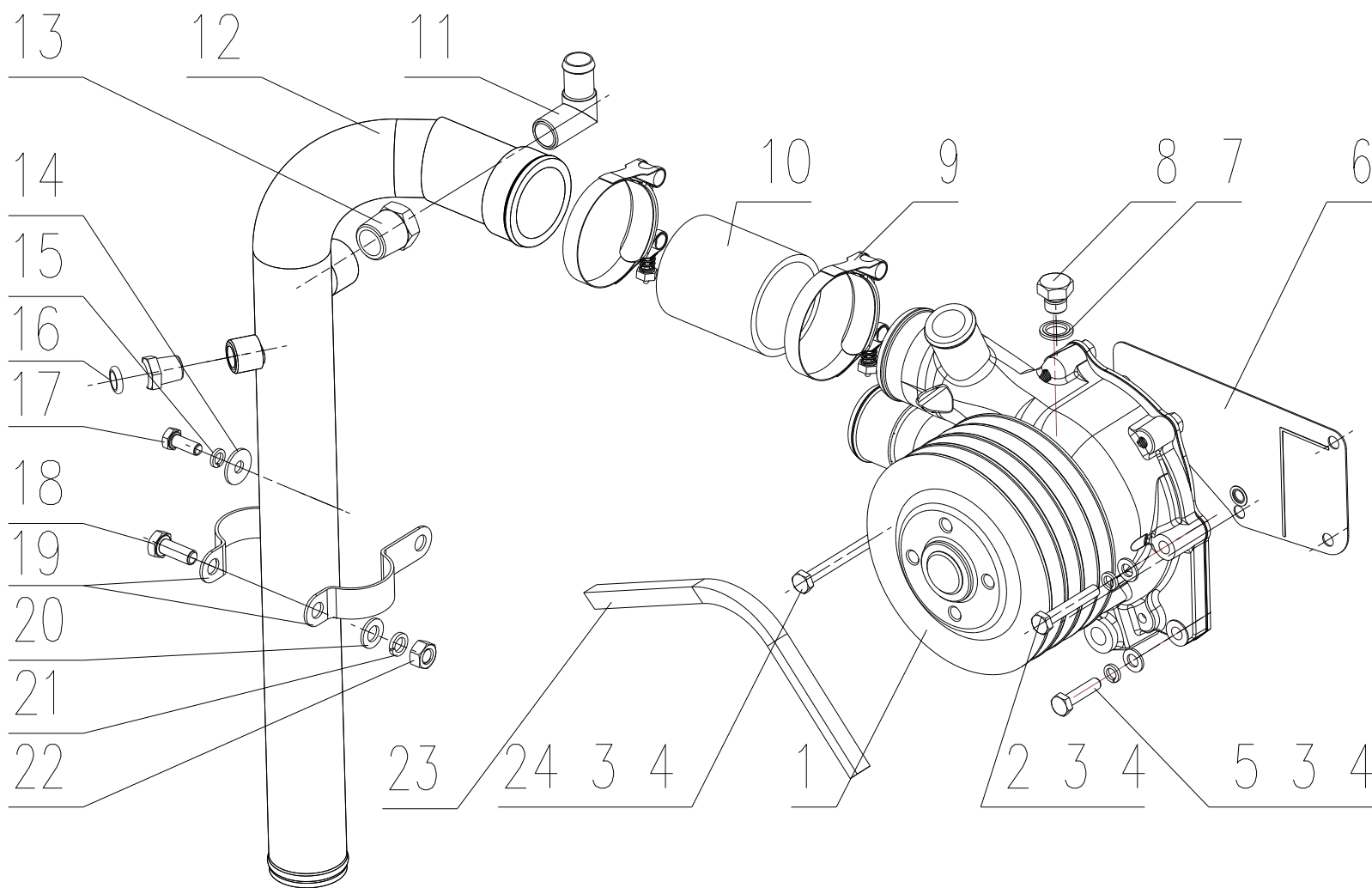
25、J1D17-1306000/04 调温器总成 Thermostat Assembly

序号 No.	图 号 Part No.	名 称	Part Name	数量 Qty.	备注 Remarks
1	J3601-1303003B	调温器座	Thermostat seat	1	
2	Q67645	环箍 45	Loop hoop 45	2	
3	J3601-1306005A	回水胶管	Water return rubber pipe	1	
4	A3000-1303012A	节温器盖垫片	Thermostat cover spacer	1	易损件 EWP
5	630-1306004	调温器	Thermostat	1	
6	A3540-1306001	节温器盖	Thermostat cover	1	
7	291-1306028A	放气管接头	Air release pipe joint	1	
8	Q150B0820	螺栓 M8×20	Bolt M8×20	5	
9	Q40308	垫圈 8	Lock Washer 8	5	
10	6105Q-1303013	节温器座垫片	Thermostat pedestal gasket	1	易损件 EWP
11	177-1306023C	螺塞	Screw plug	1	
12	Q/YC149-36	复合式密封垫圈 36	Compound seal washer 36	1	易损件 EWP

EWP=Easy wear part (易损件)

图 Drawing

26、J1A16-1307000/01 水泵总成 Water Pump Assembly



26、J1A16-1307000/01 水泵总成 Water Pump Assembly

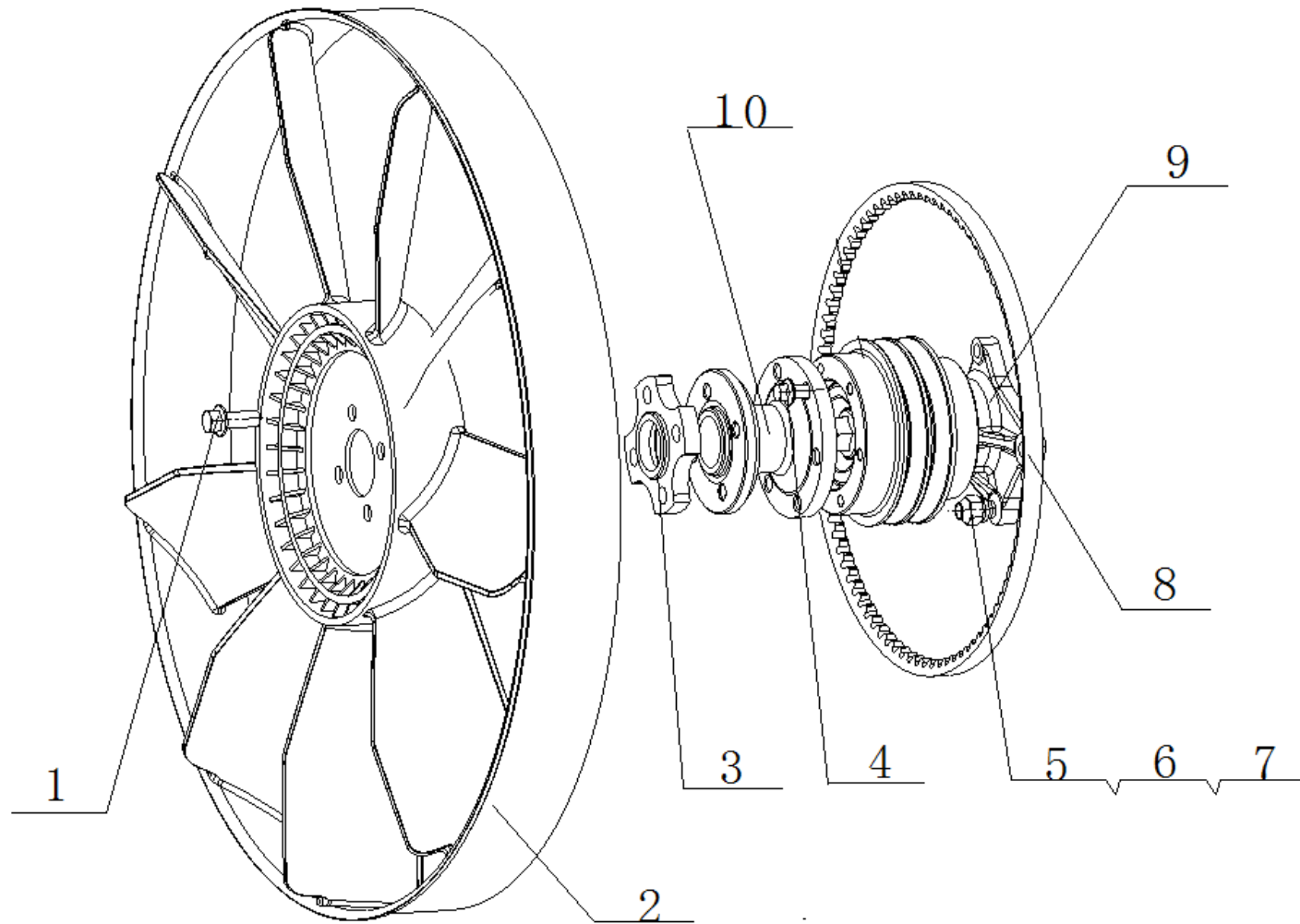
序号 No.	图 号 Part No.	名 称	Part Name	数量 Qty.	备注 Remarks
1	J3601-1307100K	水泵	Water pump	1	
2	Q150B0850TF2	螺栓 M8X50	Bolt M8X50	2	
3	Q40308	垫圈 8	Lock washer 8	4	
4	Q40108	垫圈 8	Plane washer 8	4	
5	Q150B0832TF2	螺栓 M8X32	Bolt M8X32	1	
6	3430-1307011C	水泵衬垫	Water pump lining washer	1	易损件 EWP
7	Q/YC149-14	复合式密封垫圈 14	Seal washer 14	1	
8	Q/YC198-14	螺塞 M14X1.5	Plug	1	
9	Q67676	环箍 76	loop hoop 76	2	
10	A3000-1307005B	胶管	Rubber pipe	1	
11	A4200-1119030	中冷器回水接头	Intercooler backwater joint	1	
12	J41F3-13070250B	水泵进水管组件	Water pump Water intake components	1	
13	E0216-1306013	过渡塞	Transition plug	1	
14	Q40208	垫圈 8	Lock washer 8	1	
15	Q40308	垫圈 8	Lock washer 8	4	
16	151-1307017A	暖风回水接头	Heater backwater joint	1	
17	Q150B0820	螺栓 M8X20	Bolt M8X20	1	
18	Q150B1025	螺栓 M10X25	Bolt M10X25	1	
19	A30-1307032	夹箍	clip	2	

20	Q40310	垫圈 10	Lock Washer 10	1	
21	Q40110	垫圈 10	Lock Washer 10	1	
22	Q340B10	螺母 M10	Nut M10	1	
23	A4136-1307050	皮带 SPA1365	Belt SPA1365	2	易损件 EWP
24	Q150B0865TF2	螺栓 M8X65	Bolt M8X65	1	

EWP=Easy wear part (易损件)

图 Drawing

27、J1AF5-1308000/02 风扇总成 Fan Assembly



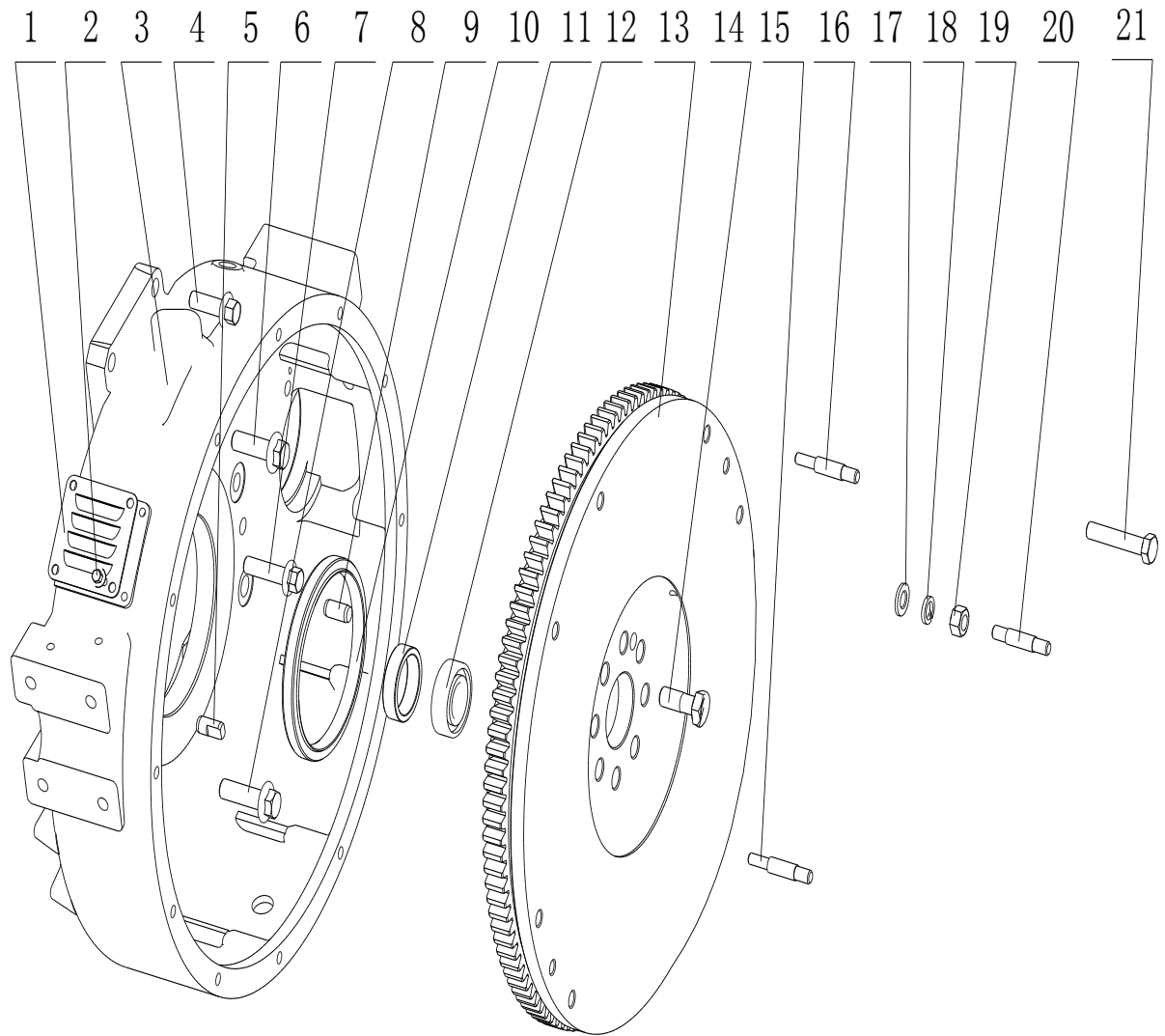
27、J1AF5-1308000/02 风扇总成 Fan Assembly

序号 No.	图 号 Part No.	名 称	Part Name	数量 Qty.	备注 Remarks
1	Q1841025TF2	螺栓 M10X25	Bolt M10X25	4	
2	299-1308150A	风扇组件	Fan subassembly	1	
3	E1101-1308102A	垫块	Cushion block	1	
4	Q1840820TF2	螺栓 M8X20	Bolt M8X20	6	
5	Q1201025	螺柱 M10X25	Stud M10X25	2	
6	Q340B10	螺母 M10	Nut M10	2	
7	Q40310	垫圈 10	Washer 10	2	
8	191-3701040	发电机皮带	Alternator belt	2	
9	J41F3-1308300A	风扇轴组件	Fan shaft subassembly	1	
10	374-1308025	连接轴套	Connecting shaft sleeve	1	

EWP=Easy wear part (易损件)

图 Drawing

28、J6518-160000/09 动力输出总成 Power Output Assembly



28、J6518-1600000/09 动力输出总成 Power Output Assembly

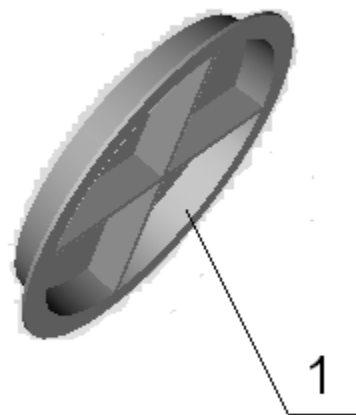
序号 No.	图 号 Part No.	名 称	Part Name	数量 Qty.	备注 Remarks
1	B3000-1600021	盖板	Cover plate	1	
2	Q1840612	螺栓 M6×12	Bolt M6×12	4	
3	B3206-1600015	飞轮壳	Flywheel case	1	
4	Q1841235TF2	螺栓 M12×35	Bolt M12×35	2	
5	6105Q-1600011	扁销	Flat pin	1	
6	Q1841240TF2	螺栓 M12×40	Bolt M12×40	1	
7	Q1841245TF2	螺栓 M12×45	Bolt M12×45	5	
8	Q1841445TF2	螺栓 M14×45	Bolt M14×45	2	
9	YC24-B1224	圆柱销 12X24	Straight pin 12X24	1	
10	YC209-122141FL	油封 122X141	Oil seal 122X141	1	选装 Optional
	YC209-122141PL	油封 122X141	Oil seal 122X141	1	选装 Optional
11	397A-1005011	轴承衬垫	Bearing gasket	1	
12	GB/T276-6205-2RS1	深沟球轴承 6205-2RS1	Deep groove ball bearing 6205-2RS1	1	
13	J3614-1005360	飞轮及齿圈组件	Flywheel and gear assembly	1	
14	6QA1-1005044A	飞轮螺栓	Flywheel bolt	8	
15	Q1201060	螺柱 M10X60	Stud M10X60	2	
16	Q1201040	螺柱 M10X40	Stud M10X40	12	
17	Q40110	垫圈 10	Washer 10	14	
18	Q40310	垫圈 10	Washer 10	14	

19	Q340B10	螺母 M10	Nut M10	14	
20	Q1201050	螺柱 M10X50	Stud M10X50	2	
21	Q1841060	螺栓 M10×60	Bolt M10X60	10	
	L3800-1600411	堵塞	jam	1	

EWP=Easy Wear Part

图 Drawing

29、J41F1-3407000/01 转向泵总成 Steering Pump Assembly



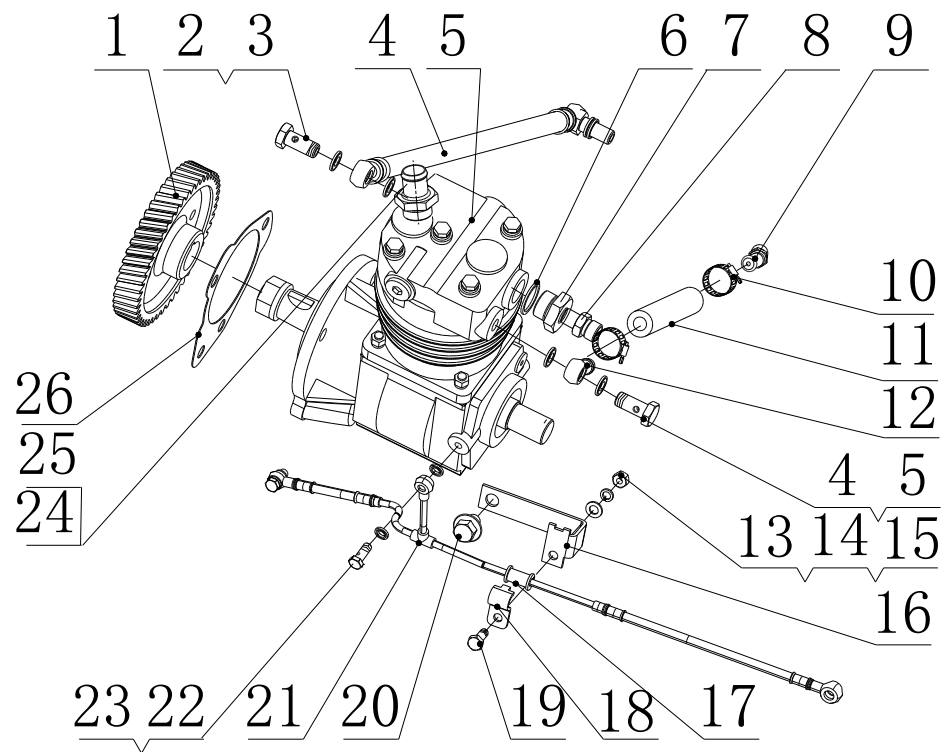
29、J41F1-3407000/01 转向泵总成 Steering Pump Assembly

序号 No.	图 号 Part No.	名 称	Part Name	数量 Qty.	备注 Remarks
1	YC9-082	塑料堵盖 82	Plastics cover 82	1	

图 Drawing

30、J42H1—3509000/11 气制动空气压缩机总成

Pneumatic Air Compressor Assembly



30、J42H1—3509000/11 气制动空气压缩机总成

Pneumatic Air Compressor Assembly

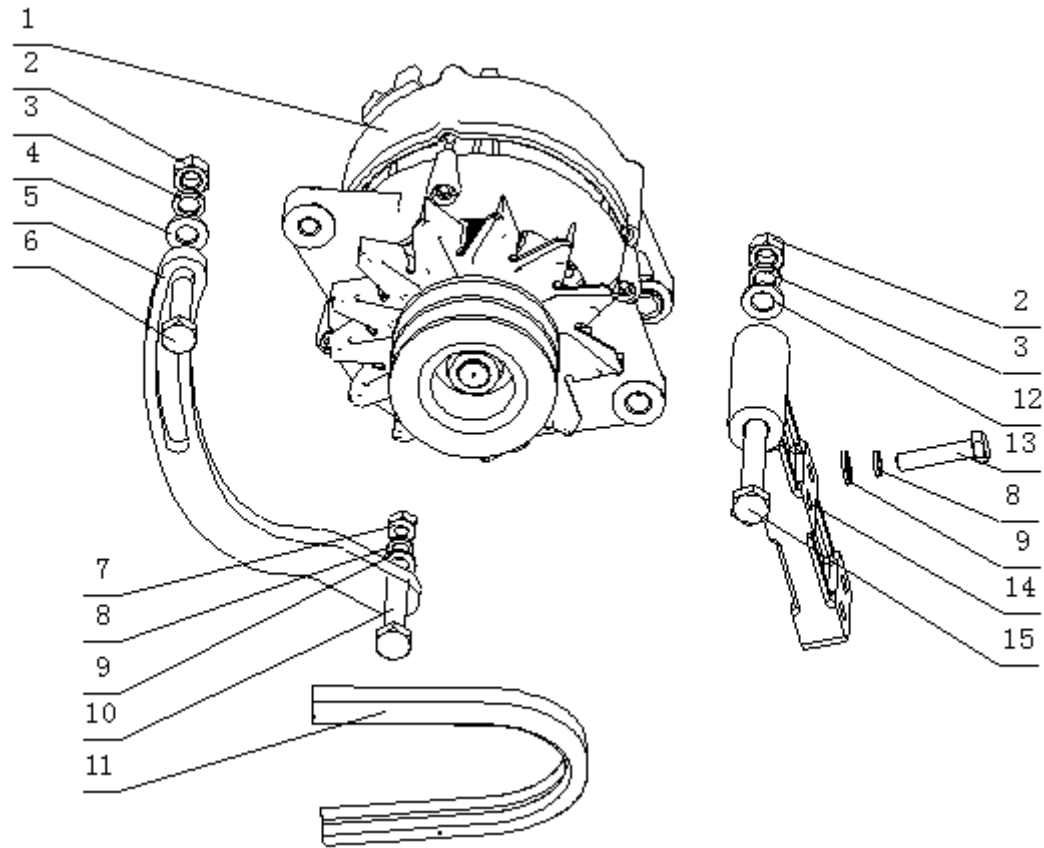
序号 No.	图号 Part No.	名称	Part Name	数量 Qty.	备注 Remarks
1	6105Q-3509011	喷油泵传动齿轮	Injection pump driving gear	1	
2	6QA6-1307017	管接螺栓	Bolt	3	
3	Q/YC149-14	复合式密封垫圈 14	Compound seal washer 14	6	易损件 EWP
4	373-3509002	空压机回水管	Water return pipe, air compressor	1	
5	B4000-3509100C	空气压缩机	Air compressor	1	廊坊 Langfang
6	Q/YC149-14	复合式密封垫圈 14	Compound seal washer 14	6	易损件 EWP
7	Q80512	接头体	Joint		
8	231-3509015A	排气接头座	Air exhaust joint seat	1	
9	B3000-3509005	水管接头 II	Water pipe joint II	1	
10	Q67622	环箍 22	Ring hoop 22	2	
11	B3000-3509003	空压机进水胶管	Water inlet hose, air compressor	2	
12	B3000-3509004	水管接头 I	Water pipe joint I	1	
13	Q340B08	螺母 M8	Nut M8	1	
14	Q40308	垫圈 8	Lock Washer 8	1	
15	Q40108	垫圈 8	Lock Washer 8	1	
16	330-1111371	支架	Bracket	1	
17	M3200-1104363	胶套	Rubber sleeve	1	

18	M3200-1104362	管夹	Pipe clip	1	
19	Q150B0820	螺栓 M8×20	Bolt M8×20	1	
20	Q1841216	螺栓 M12×16	Bolt M12×16	1	
21	J4101-3509240	空压机进油管组件	Fuel inlet pipe parts, air compressor	1	
22	6105Q-1007073	接头螺栓	Joint bolt	2	
23	Q/YC149-8	复合式密封垫圈 8	Compound seal washer 8	4	易损件 EWP
24	J42H1-3509010	空压机进气接头	Air intake joint, air compressor	1	
25	G4606-3509014	密封垫片	Seal spacer	3	
26	630-1002041A	空压机垫片	Air compressor gasket	1	易损件 EWP

EWP=Easy wear part (易损件)

图 Drawing

31、J1A16-3701000/04 发电机总成 Alternator Assembly



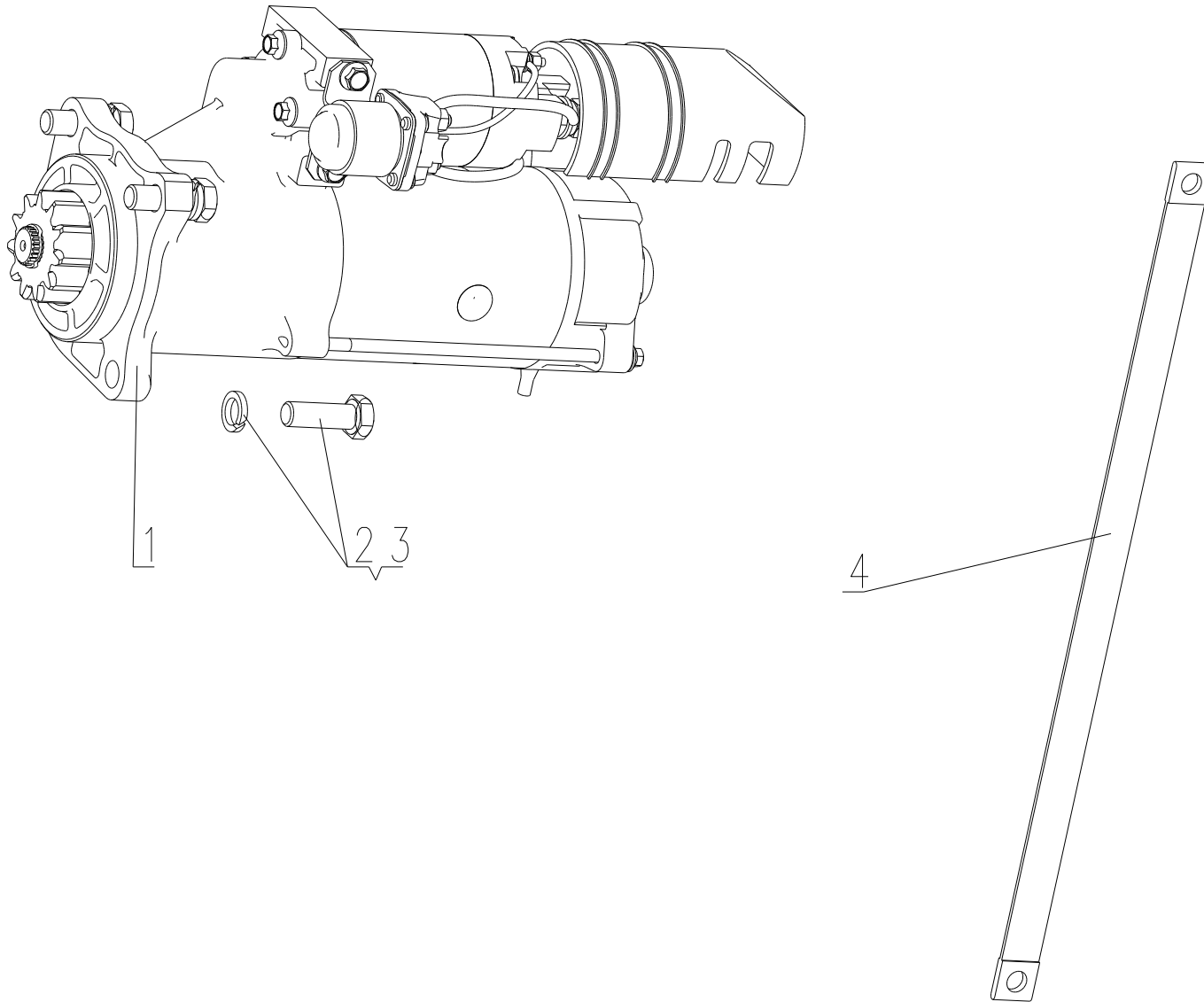
31、J1A16-3701000/04 发电机总成 Alternator Assembly

序号 No.	图 号 Part No.	名 称	Part Name	数量 Qty.	备注 Remarks
1	J4218-3701100	发电机	Alternator	1	
2	Q340B10	螺母 M10	Nut M10	2	
3	Q40310	垫圈 10	Washer 10	2	易损件 EWP
4	530-1009002	垫圈	Washer	1	
5	J3808-3701052	发电机调节板	Alternator adjusting plate	1	
6	Q150B1040	螺栓 M10X40	Bolt M10X40	1	
7	Q340B08	螺母 M8	Nut M8	1	
8	Q40308	垫圈 8	Washer 8	5	易损件 EWP
9	Q40108	垫圈 8	Washer 8	5	易损件 EWP
10	Q150B0855TF2	螺栓 M8X55	Bolt M8X55	1	
11	234-3701040	发电机皮带	Alternator belt	2	易损件 EWP
12	Q40110	垫圈 10	Washer 10	1	易损件 EWP
13	Q150B0835	螺栓 M8X35	Bolt M8X35	4	
14	J3808-3701040A	支架组件	Bracket assembly	1	
15	Q150B10130	螺栓 M10X130	Bolt M10X130	1	

EWP=Easy wear part (易损件)

图 Drawing

32、J1A17-3708000/01 起动机总成 Starter Assembly



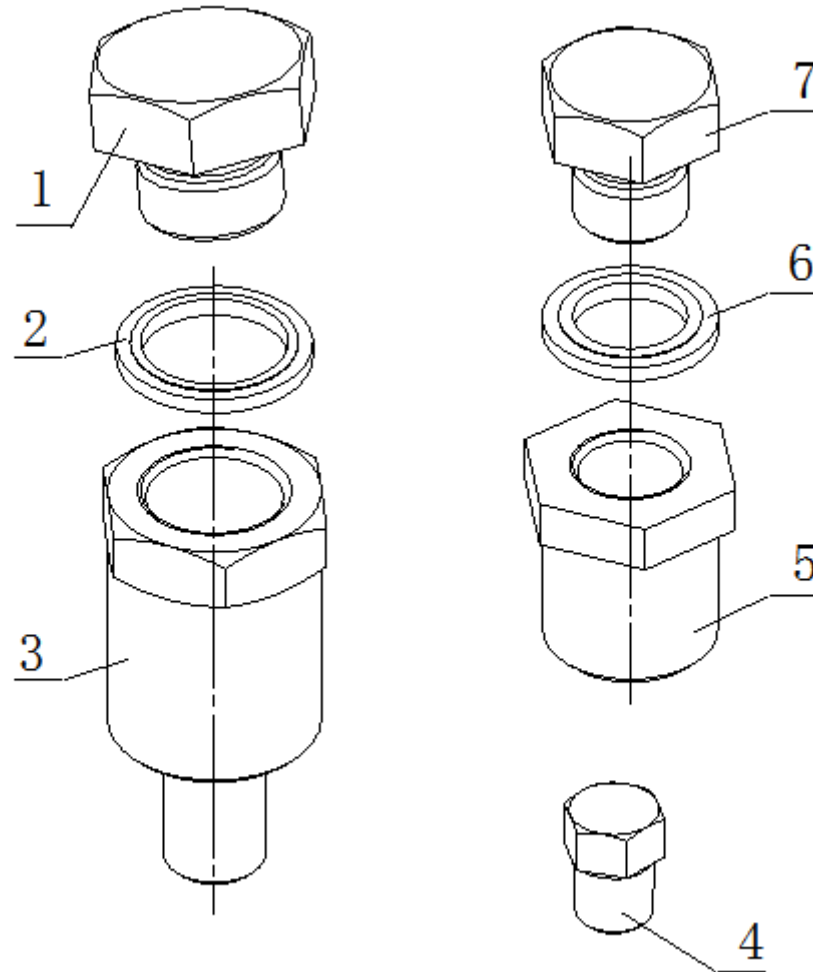
32、J1A17-3708000/01 起动机总成 Starter Assembly

序号 No.	图 号 Part No.	名 称	Part Name	数量 Qty.	备注 Remarks
1	B6717-3708100	起动机	Starter	1	
2	Q40312	垫圈 12	Washer12	3	
3	Q150B1235	螺栓 M12×35	Bolt M12X35	3	
4	670A-3708020	搭铁线总成	Ground wire assembly	1	

EWP=Easy wear part (易损件)

图 Drawing

33、J1D17-3800000/01 仪表、感应器总成 Instrument& Sensor Assembly



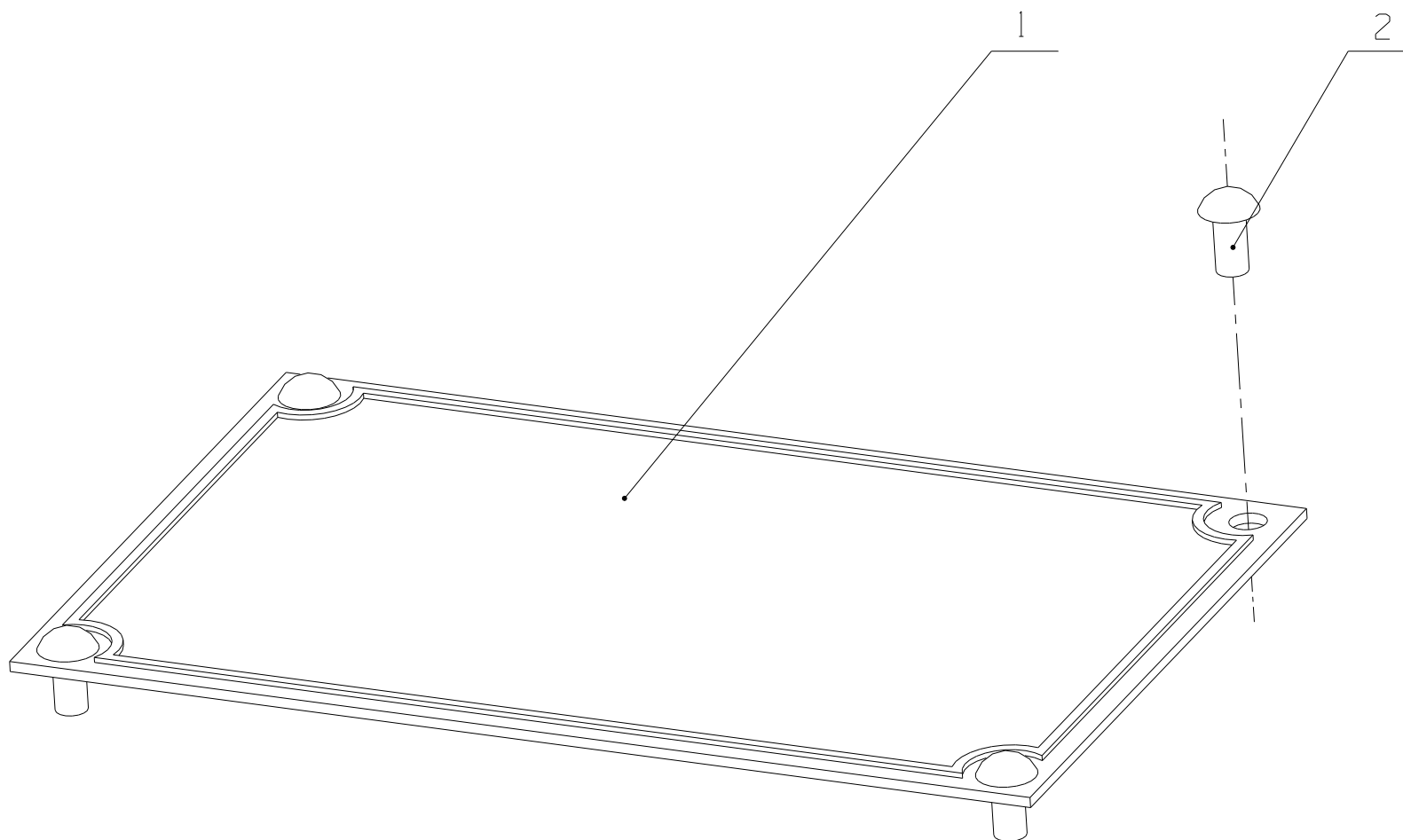
33、J1D17-3800000/01 仪表、感应器总成 Instrument& Sensor Assembly

序号 No.	图 号 Part No.	名 称	Part Name	数量 Qty.	备注 Remarks
1	Q/YC198-18	螺塞 M18X1.5	Screw plug M18X1.5	1	
2	Q/YC149-18	复合式密封垫圈 18	Compound seal washer 18	1	
3	L3001-1013114A	油压感应塞座	Fuel pressure sensor cover	1	
4	Q618B01	螺塞 NPT 1/8	Screw plug NPT1/8	1	
5	L3000-1307031	过渡接头	Transition joint	1	
6	Q/YC149-14	复合式密封垫圈 14	Compound seal washer 14	1	
7	Q/YC198-14	螺塞 M14X1.5	Screw plug M14X1.5	1	

EWP=Easy wear part (易损件)

图 Drawing

34、J1A00-3904000/01 铭牌 Nameplate



34、J1A00-3904000/01 铭牌 Nameplate

序号 No.	图 号 Part No.	名 称	Part Name	数量 Qty.	备注 Remarks
1	YC394-AJ1A00	标牌 YC6J220-33	Nameplate YC6J220-33	1	
2	YC5-0306	铆钉 3X6	Rivet 3×6	4	

EWP=Easy wear part (易损件)