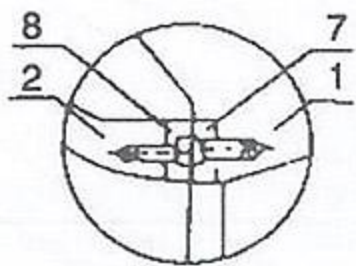
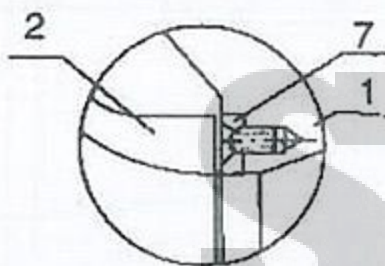


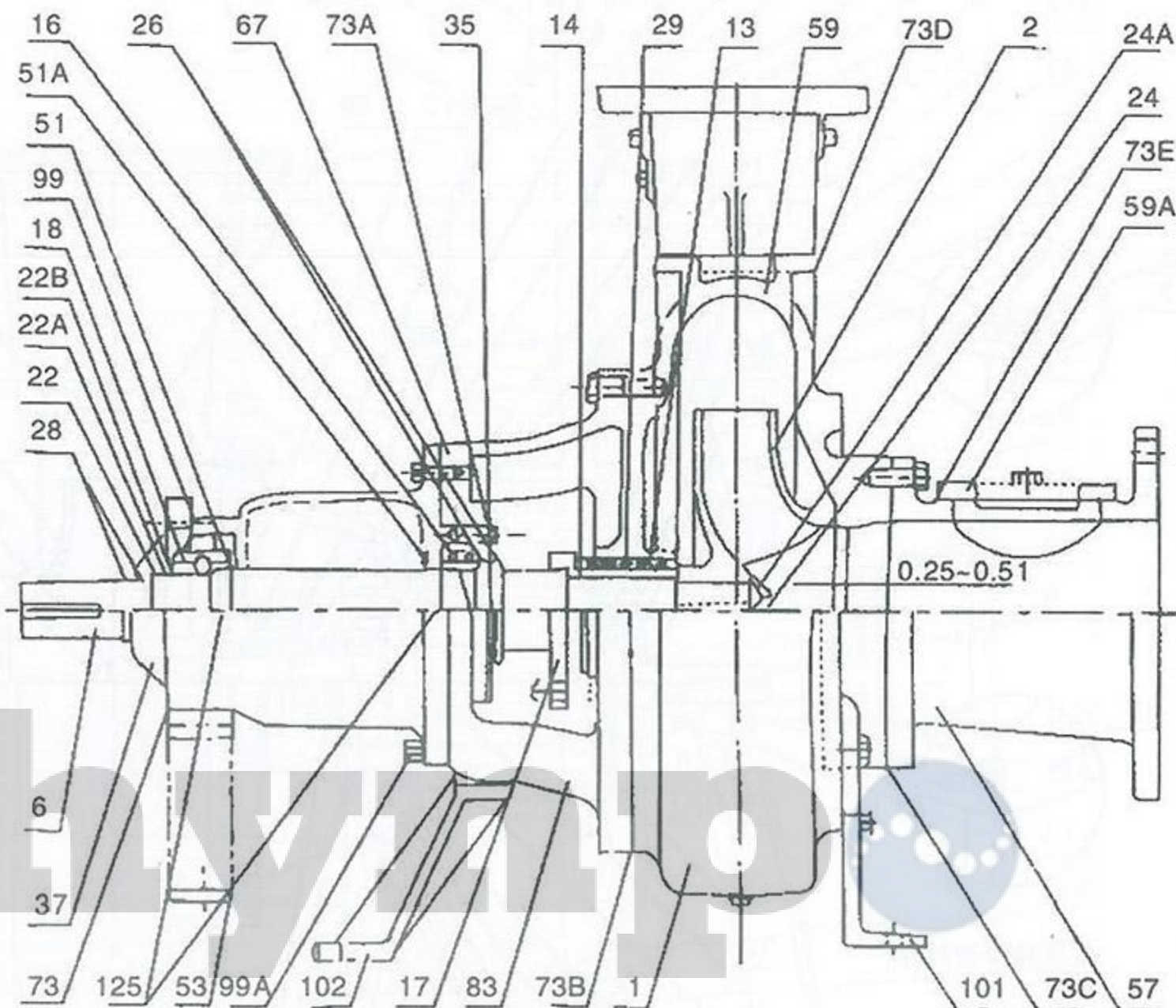
4. MF pump structure diagram (bearing frame is 6A and 5A)



Pump body and impeller are equipped with sealing rings

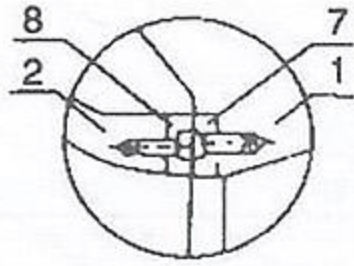


Pump body only with sealing ring

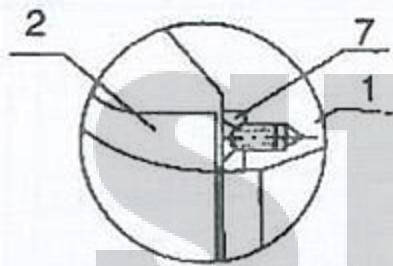


Rotating part			Stationary part					
Number	Quantity	Name	Number	Quantity	Name	Number	Quantity	Name
2	1	Impeller	1	1	Pump body	67	1 set	Adjusting gasket
6	1	Shaft	7	1	Pump body sealing ring	73	1	Paper gasket
8	1	Impeller seal ring	13	5 laps	Packing	73A	1	Paper gasket
14	1	Shaft sleeve	16	1 pair	Packing gland	73B	1	Paper gasket
16	1	Roller bearing	29	1 pair	Packing ring	73C	1	Rubber gasket
18	1	Thrust bearing	35	1	Bearing cover (inner)	73D	1	Rubber gasket
22	1	Stop nut	37	1	Bearing cover (outer)	73E	1	Rubber gasket
22A	1	Stop washer	51	1	Oil seal (inner)	83	1	Stuffing box frame
22B	1	Bearing gasket	51A	1	Oil seal (outer)	99	1	Bearing frame
24	1	Impeller nut	53	1	Bearing support frame	99A	2	Adjusting bolt
24A	1	Impeller gasket	57	1	Inlet cone pipe	101	1	Pump body support frame
26	2	Shaft seal (inner)	59	1	Hand hole cover	102	1	Stuffing box frame support frame
28	2	Shaft seal (outer)	59A	1	Hand hole cover	125	2	Oil cup

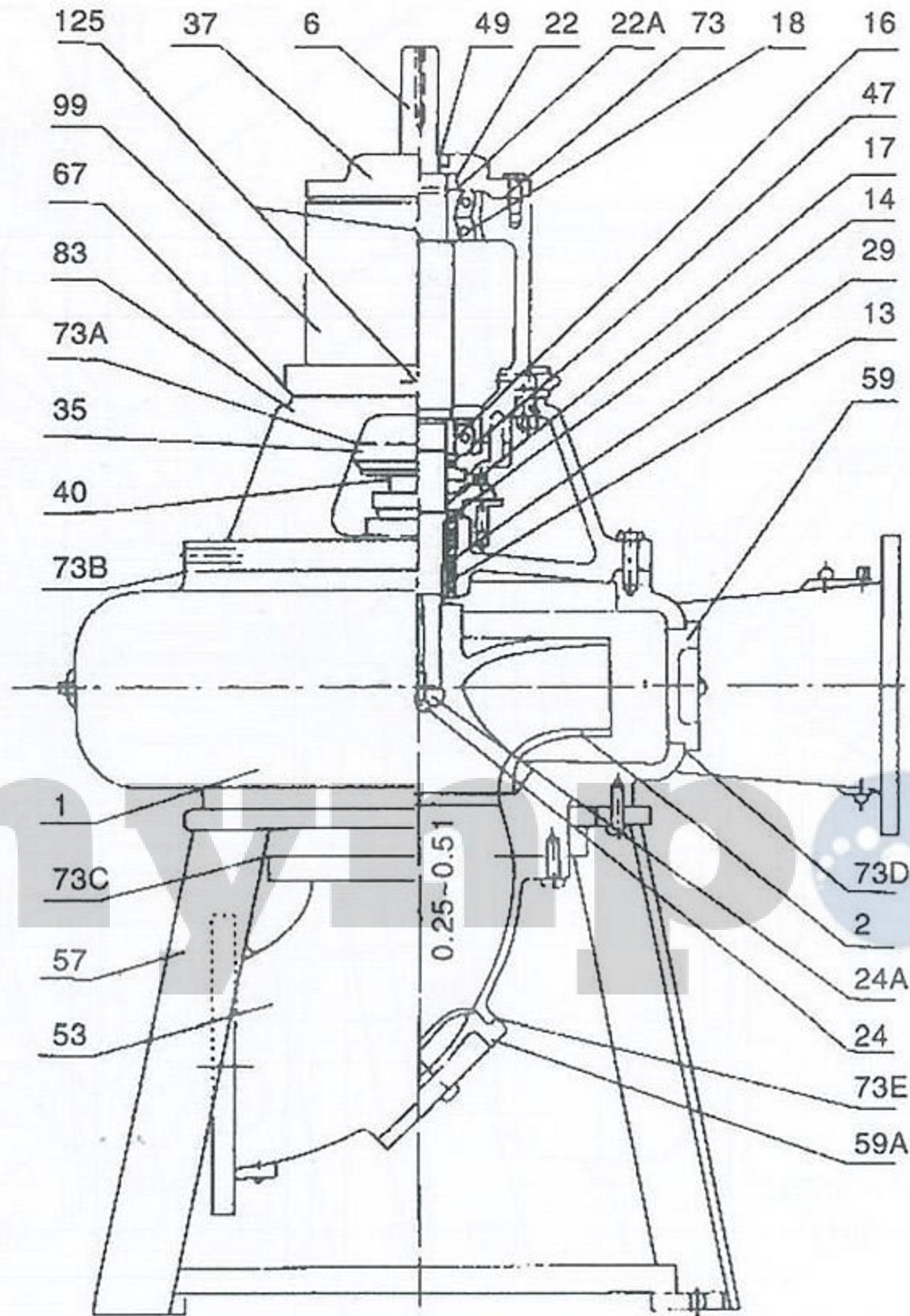
1. MFV/MFC pump structure diagram (bearing frame is 3A 4A and 5A)



Pump body and impeller are equipped with sealing rings



Pump body only with sealing ring

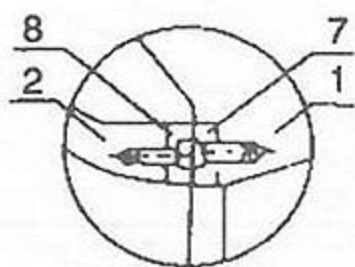


Rotating part

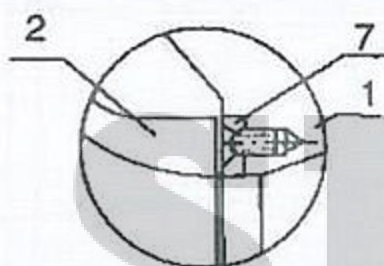
Stationary part

Number	Quantity	Name	Number	Quantity	Name	Number	Quantity	Name
2	1	Impeller	1	1	Pump body	59A	1	Hand hole cover
6	1	Shaft	7	1	Pump body sealing ring	67	1 set	Adjusting gasket
8	1	Impeller seal ring	13	5 laps	Padding	73	1	Oil seal
14	1	Sleeve	17	1 pair	Padding gland	73A	1	Paper gasket
16	1	Roller bearing	29	1 pair	Padding ring	73B	1	Paper gasket
18	1	Thrust bearing	35	1	Bearing cover (inner)	73C	1	Rubber gasket
22	1	Stop nut	37	1	Bearing cover (outer)	73D	1	Rubber gasket
22A	1	Stop washer	47	1	Oil seal ring (inner)	73E	1	Rubber gasket
24	1	Impeller nut	49	1	Oil seal ring (outer)	83	1	Stuffing box frame
24A	1	Impeller gasket	53	1	Inlet elbow	99	1	Bearing frame
40	1	Water retaining ring	57	1	Pump base	125	2	Oil cup
			59	1	Hand hole cover			

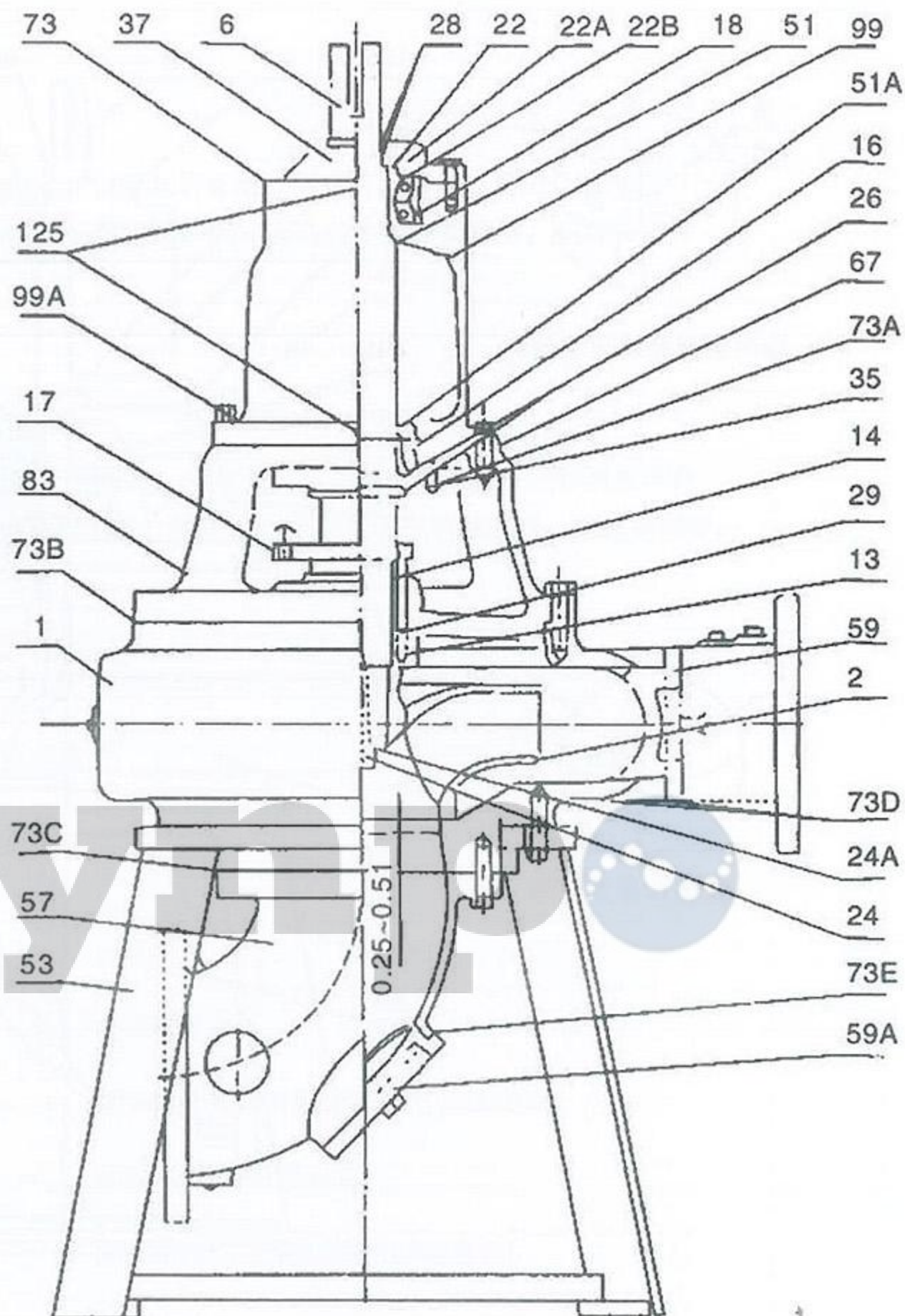
2. MFV/MFC pump structure diagram (bearing frame is 6A and 7A)



Pump body and impeller are equipped with sealing rings

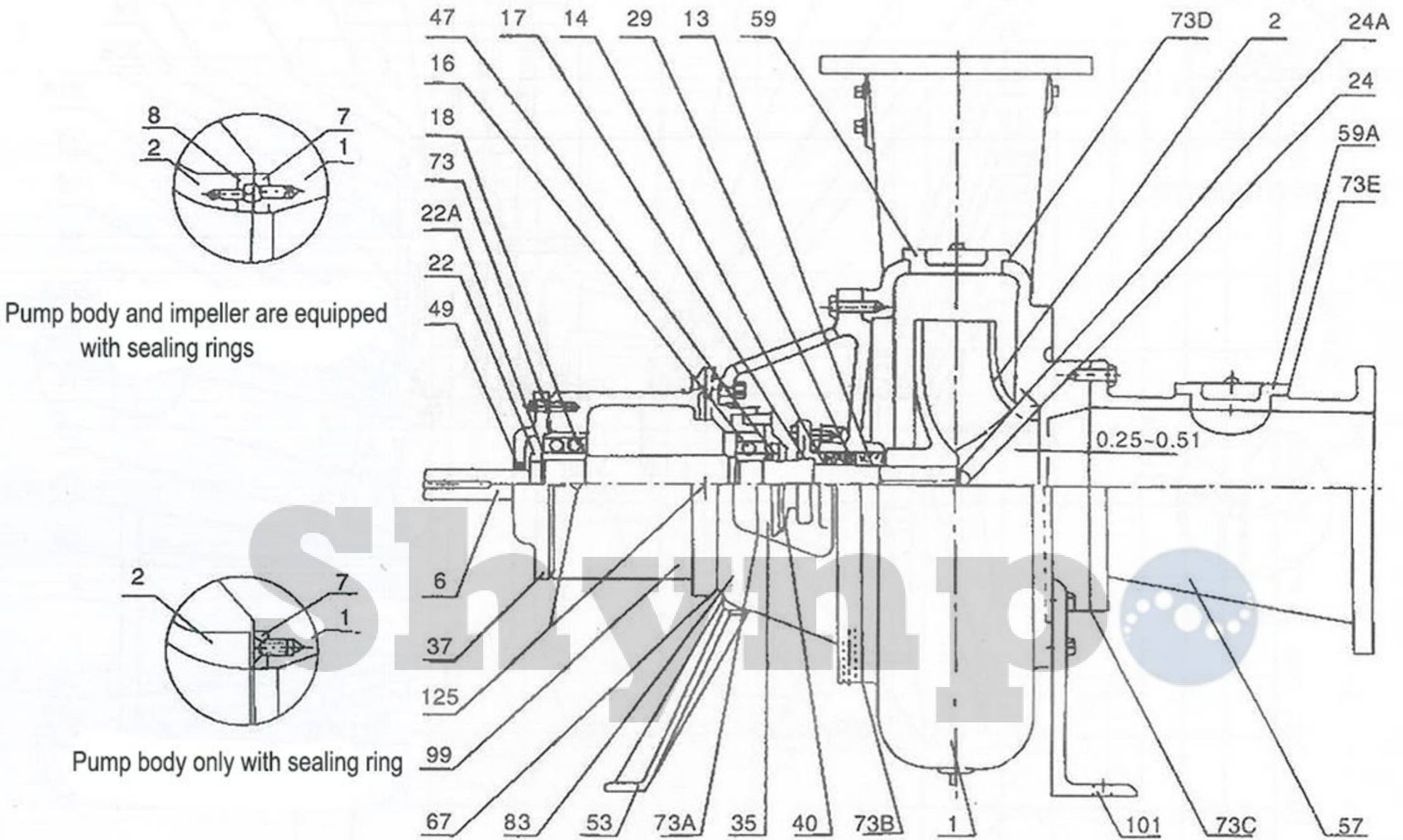


Pump body only with sealing ring



Rotating part			Stationary part					
Number	Quantity	Name	Number	Quantity	Name	Number	Quantity	Name
2	1	Impeller	1	1	Pump body	67	1 set	Adjusting gasket
6	1	Shaft	7	1	Pump body sealing ring	73	1	Paper gasket
8	1	Impeller seal ring	13	5 laps	Padding	73A	1	Paper gasket
14	1	Shaft sleeve	17	1 pair	Padding gland	73B	1	Paper gasket
16	1	Roller bearing	29	1 pair	Padding ring	73C	1	Rubber gasket
18	1	Thrust bearing	35	1	Bearing cover (inner)	73D	1	Rubber gasket
22	1	Stop nut	37	1	Bearing cover (outer)	73E	1	Rubber gasket
22A	1	Stop washer	51	1	Oil seal (outer)	83	1	Stuffing box frame
22B	1	Bearing gasket	51A	1	Oil seal (inner)	99	1	Bearing frame
24	1	Impeller nut	53	1	Pump base	99A	2	Adjusting bolt
24A	1	Impeller gasket	57	1	Inlet elbow	125	2	Oil cup
26	2	Shaft seal (inner)	59	1	Hand hole cover			
28	2	Shaft seal (outer)	59A	1	Hand hole cover			

3. MF pump structure diagram (bearing frame is 3A 4A and 5A)



Pump body and impeller are equipped with sealing rings

Pump body only with sealing ring

Rotating part			Stationary part					
Number	Quantity	Name	Number	Quantity	Name	Number	Quantity	Name
2	1	Impeller	1	1	Pump body	59A	1	Hand hole cover
6	1	Shaft	7	1	Pump body sealing ring	67	1 set	Adjusting gasket
8	1	Impeller seal ring	13	5 laps	Packing	73	1	Oil seal
14	1	Sleeve	17	1 pair	Packing gland	73A	1	Paper gasket
16	1	Roller bearing	29	1 pair	Packing ring	73B	1	Paper gasket
18	1	Thrust bearing	35	1	Bearing cover (inner)	73C	1	Rubber gasket
22	1	Stop nut	37	1	Bearing cover (outer)	73D	1	Rubber gasket
22A	1	Stop washer	47	1	Oil seal ring (inner)	73E	1	Rubber gasket
24	1	Impeller nut	49	1	Oil seal ring (outer)	83	1	Stuffing box frame
24A	1	Impeller gasket	53	1	stuffing box frame support fram	99	1	Bearing frame
40	1	Water retaining ring	57	1	Inlet cone pipe	101	1	Pump support frame
			59	1	Hand hole cover	125	2	Oil cup