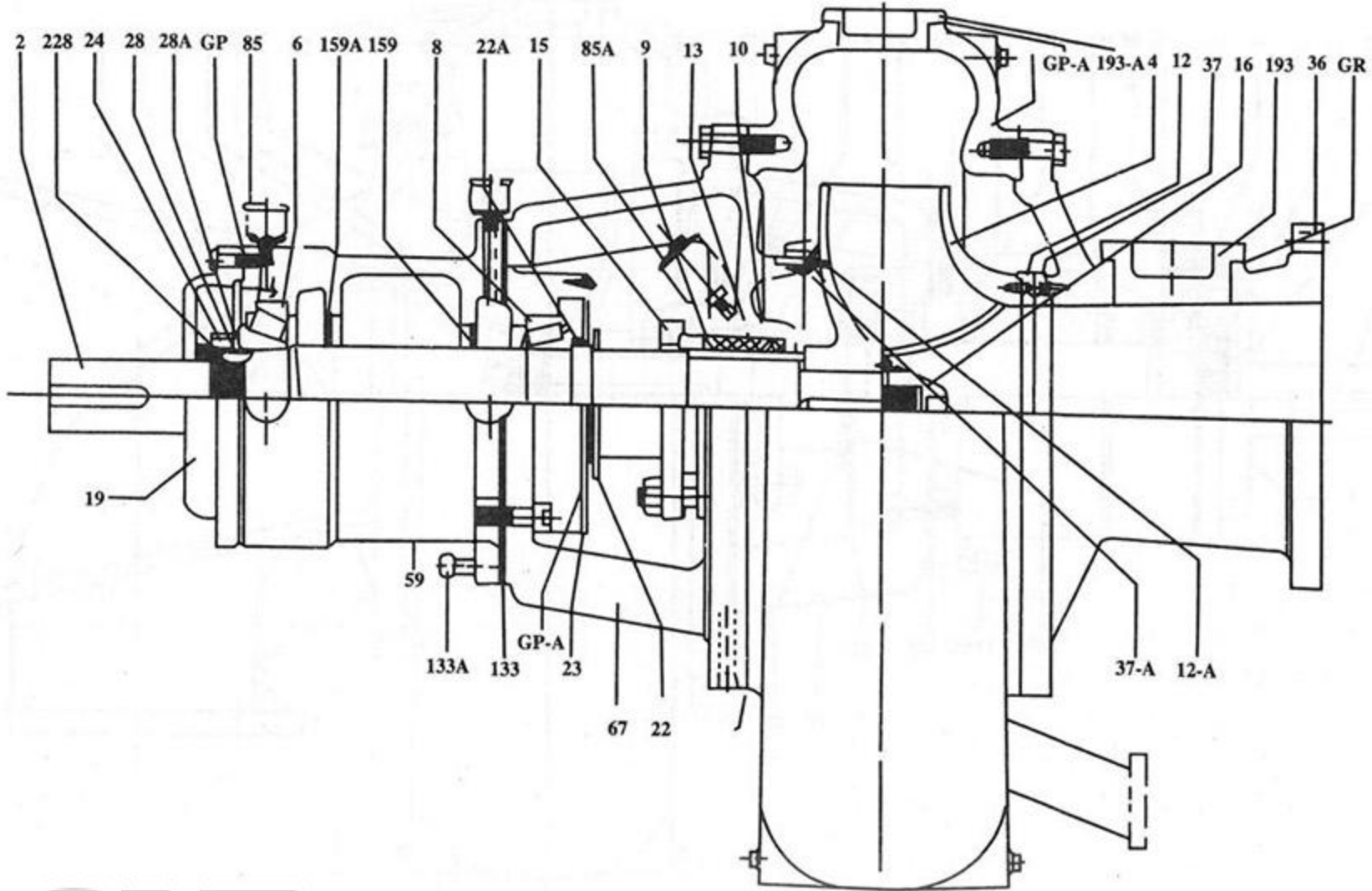


20MN $\frac{F}{Z}$ -39 24MN $\frac{F}{Z}$ -33 24MN $\frac{F}{Z}$ -47 30MN $\frac{F}{Z}$ -33

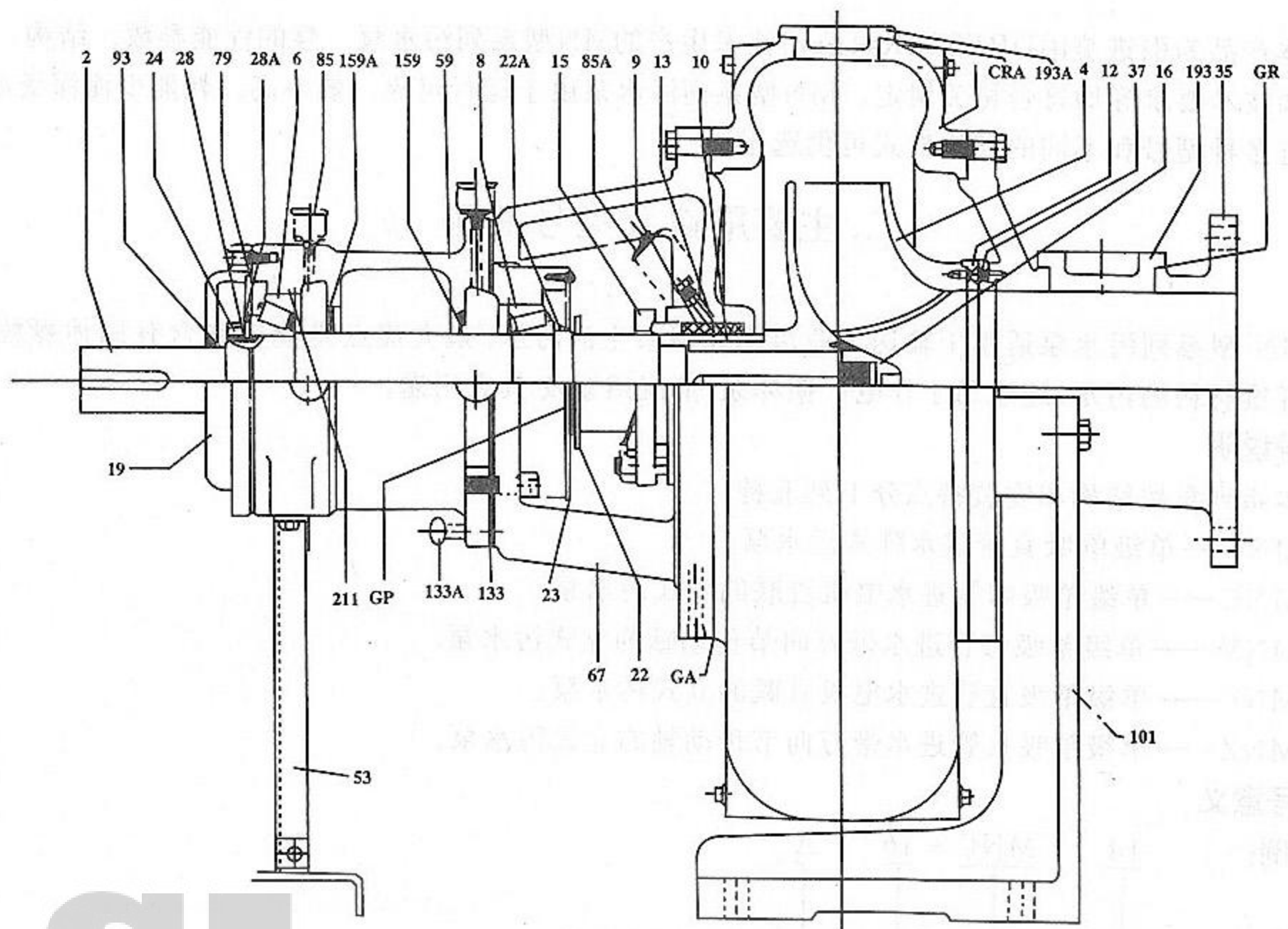
30MN $\frac{F}{Z}$ -43 36MN $\frac{F}{Z}$ -40 42MN $\frac{F}{Z}$ -46

Type pump structure diagram



Stationary parts			Stationary parts		
No.	Quantity	Name	No.	Quantity	Name
1	1	Pump body	GA	2	Gasket
9	5 laps	Packing	GP	1	Paper gasket
13	2	Packing ring	GP-A	1	Paper gasket
15	1	Packing gland	GR	1	Rubber gasket
19	1	Bearing cover (outer)	GR-A	1	Rubber gasket
23	1	Bearing cover (inner)	Rotor parts		
35	1	Inlet pipe (eccentric)	No.	Quantity	Name
37	1	Inlet pipe sealing ring	2	1	Shaft
37A	1	Stuffing box frame sealing ring	4	1	Impeller
59	1	Bearing frame	6	1	Thrust bearing
67	1	Stuffing box frame	8	1	Rolling bearing
85	2	Oil cup	10	1	Shaft sleeve
85A	1	Cooling water injection	12	1	Impeller seal ring
133	2	Adjusting gasket	12A	1	Impeller seal ring
133A	2	Adjusting bolt	16	1	Impeller nut
159	1	Oil sealing ring (inner)	22	1	Water retaining ring
159A	1	Oil sealing ring (outer)	22A	1	Shaft seal (inner)
193	1	Hand hole cover	22B	1	Shaft seal (outer)
193A	1	Hand hole cover	24	1	Anti-rotation nut
			28	1	Gasket
			28A	1	Bearing gasket

12MN-14, 10MN-12 pump structure diagram



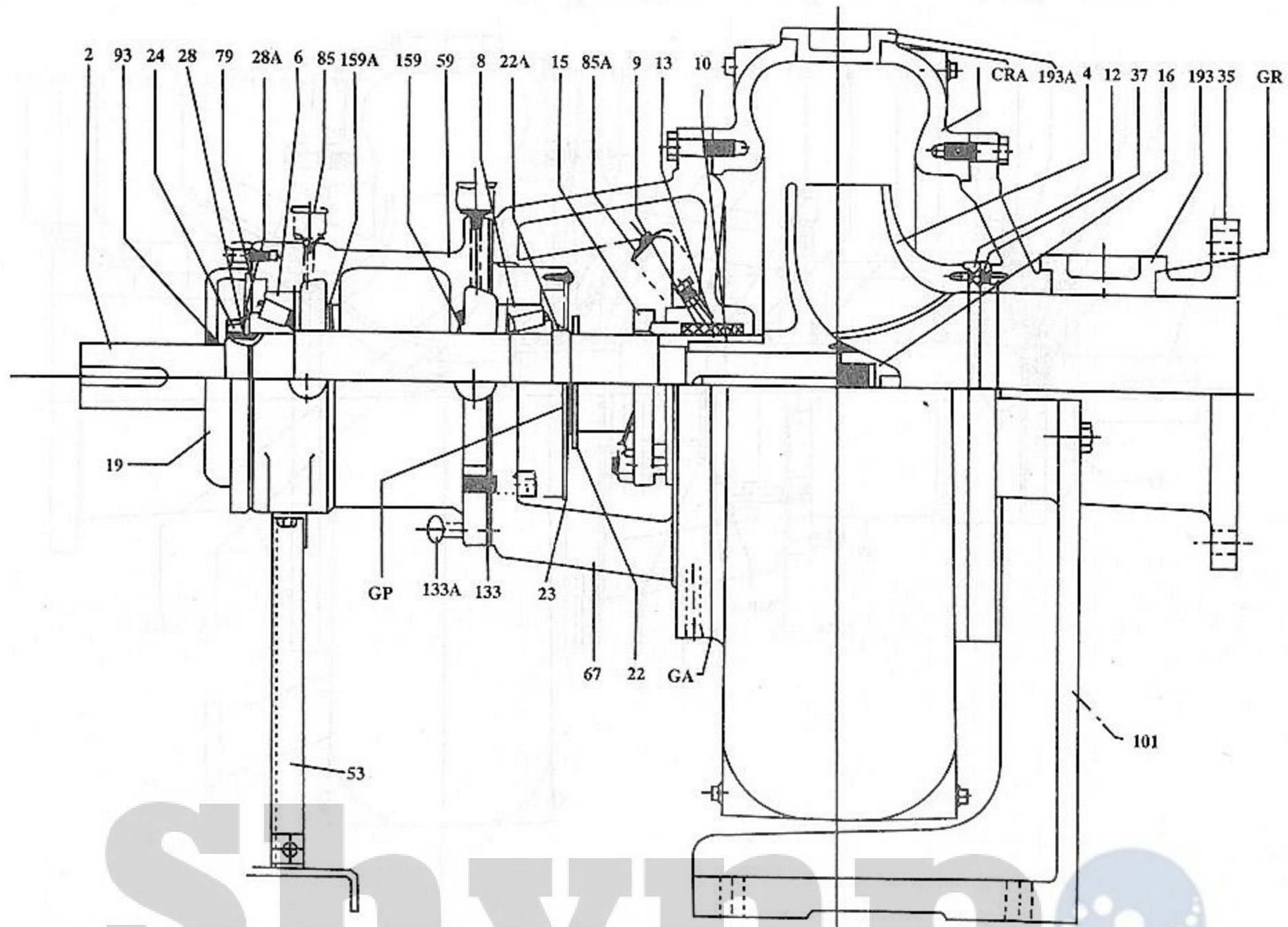
Stationary parts			Stationary parts		
No.	Quantity	Name	No.	Quantity	Name
1	1	Pump body	193A	1	Hand hole cover
9	4 laps	Packing	211	2	Snap ring
13	2	Packing ring	GA	2	Gasket
15	1	Packing gland	GP	1	Paper pad
19	1	Bearing cover (outer)	GR	1	Rubber pad
23	1	Bearing cover (inner)	GR-A	1	Rubber pad
35	1	Inlet pipe	Rotor parts		
37	1	Inlet pipe sealing ring	No.	Quantity	Name
53	1	Bearing frame support frame	2	1	Shaft
59	1	Bearing frame	4	1	Impeller
67	1	Stuffing box frame	6	1	Thrust bearing
79	1	O-ring	8	1	Roller bearing
85	2	Oil cup	10	1	Shaft sleeve
85A	1	Cooling water injection	12	1	Impeller seal ring
93	1	Oil seal	16	1	Impeller nut
101	1	Pump bracket	22	1	Water retaining ring
133	2	Adjusting gasket	22A	1	Shaft seal
133A	2	Adjusting bolt	24	1	Anti-rotation nut
159	1	Oil seal ring (inner)	28	1	Gasket
159A	1	Oil seal ring (outer)	28A	1	Bearing pad
193	1	Hand hole cover			

Except for the different inlet pipe structure, the rest of the pump is similar to the MNV and MNZ pumps.

In addition, the 10MN-12 pump uses ball bearings, and the other structures are the same as the above figure.

12MN-19 12MN-24 14MN-24 20MN-30 24MN-28
16MN-33 14MN-16 16MN-19 16MN-25 20MN-24

Type pump structure diagram

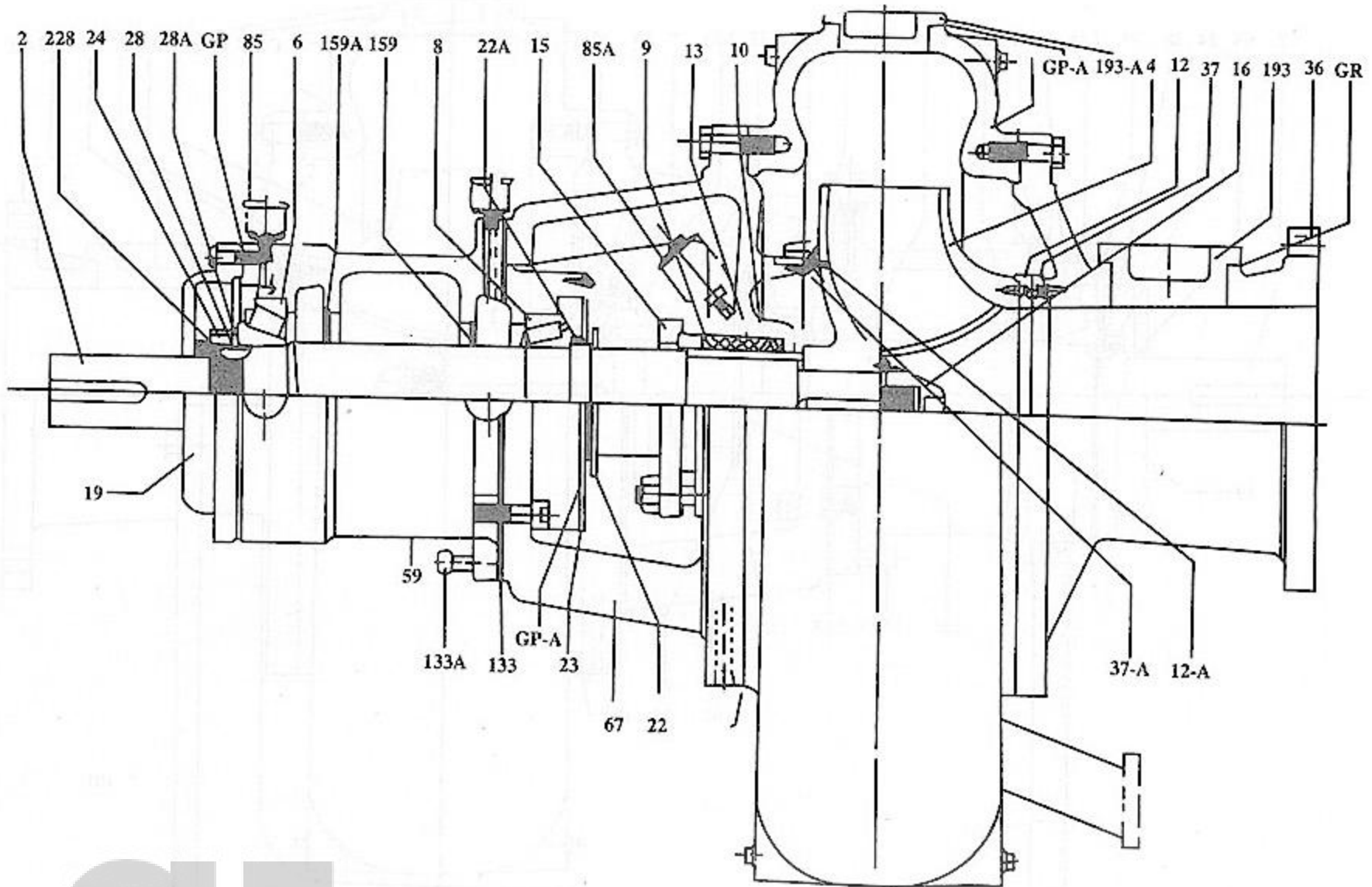


Stationary parts			Stationary parts		
No.	Quantity	Name	No.	Quantity	Name
1	1	Pump body	193	1	Hand hole cover
9	5 laps	Packing	193A	1	Hand hole cover
13	2	Packing ring	GA	2	Gasket
15	1	Packing gland	GP	1	Paper pad
19	1	Bearing cover (outer)	GR	1	Rubber pad
23	1	Bearing cover (inner)	GR-A	1	Rubber pad
35	1	Inlet pipe (eccentric)	Rotor parts		
37	1	Inlet pipe sealing ring	No.	Quantity	Name
53	1	Bearing frame support frame	2	1	Shaft
59	1	Bearing frame	4	1	Impeller
67	1	Stuffing box frame	6	1	Thrust bearing
79	1	O-ring	8	1	Roller bearing
85	2	Oil cup	10	1	Shaft sleeve
85A	1	Cooling water injection	12	1	Impeller seal ring
93	1	Oil seal	16	1	Impeller nut
101	1	Pump bracket	22	1	Water retaining ring
133	2	Adjusting gasket	22A	1	Shaft seal
133A	2	Adjusting bolt	24	1	Anti-rotation nut
159	1	Oil seal ring (inner)	28	1	Gasket
159A	1	Oil seal ring (outer)	28A	1	Bearing pad

Except for the different inlet pipe structure, the other parts of the pump are the same as MNV and MNZ models.

20MN $\frac{F}{Z}$ -39 24MN $\frac{F}{Z}$ -33 24MN $\frac{F}{Z}$ -47 30MN $\frac{F}{Z}$ -33
 30MN $\frac{F}{Z}$ -43 36MN $\frac{F}{Z}$ -40 42MN $\frac{F}{Z}$ -46

Type pump structure diagram

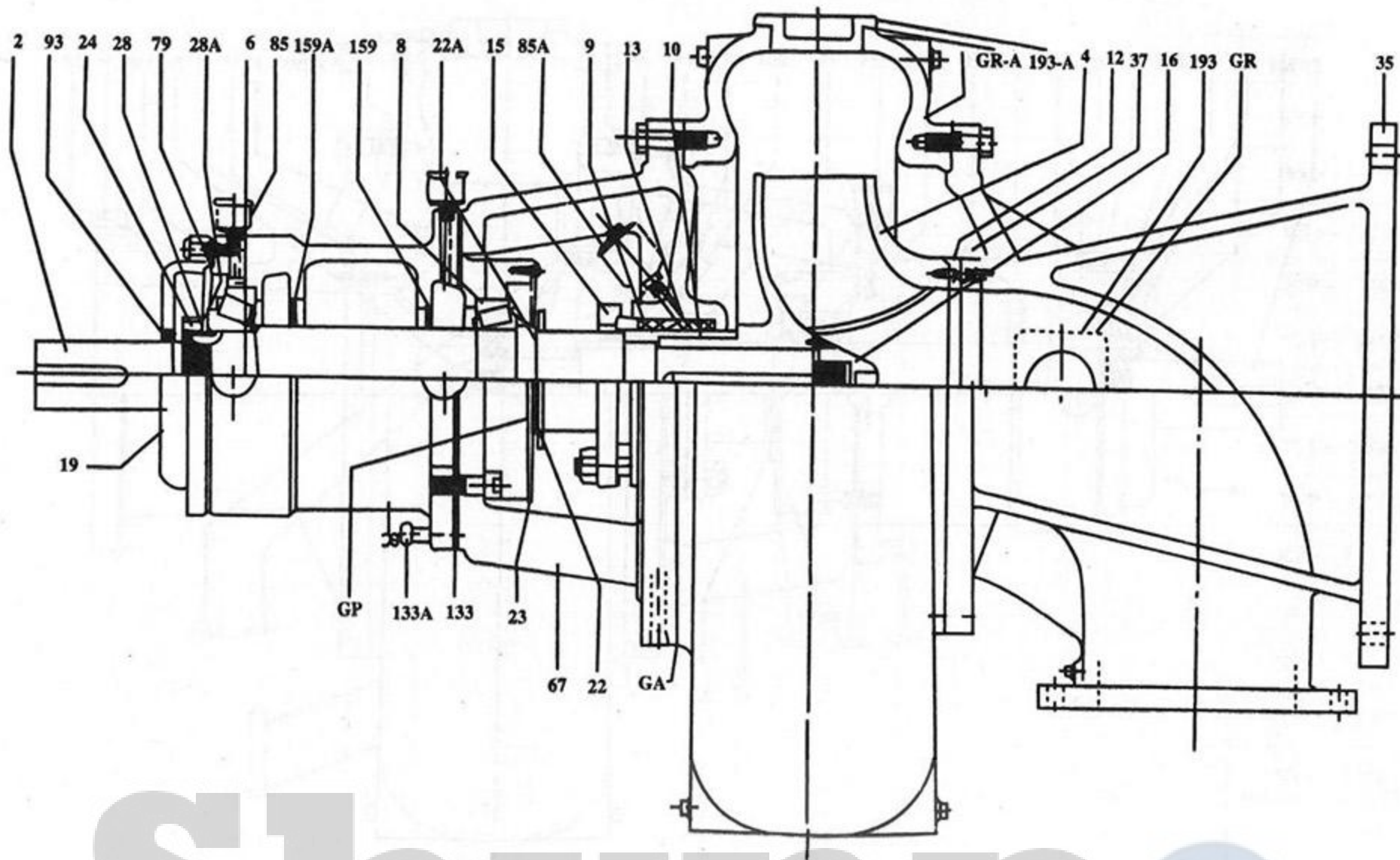


Shynp

Stationary parts			Stationary parts		
No.	Quantity	Name	No.	Quantity	Name
1	1	Pump body	GA	2	Gasket
9	5 laps	Packing	GP	1	Paper pad
13	2	Packing ring	GP-A	1	Paper pad
15	1	Packing gland	GR	1	Rubber pad
19	1	Bearing cover (outer)	GR-A	1	Rubber pad
23	1	Bearing cover (inner)	Rotor parts		
35	1	Inlet pipe (eccentric)	No.	Quantity	Name
37	1	Inlet pipe sealing ring	2	1	Shaft
37A	1	Stuffing box frame sealing ring	4	1	Impeller
59	1	Bearing frame	6	1	Thrust bearing
67	1	Stuffing box frame	8	1	Rolling bearing
85	2	Oil cup	10	1	Shaft sleeve
85A	1	Cooling water injection	12	1	Impeller seal ring
85A	1	Cooling water injection	12A	1	Impeller seal ring
133	2	Adjusting gasket	16	1	Impeller nut
133A	2	Adjusting bolt	22	1	Water retaining ring
159	1	Oil sealing ring (inner)	22A	1	Shaft seal (inner)
159A	1	Oil sealing ring (outer)	22B	1	Shaft seal (outer)
193	1	Hand hole cover	24	1	Anti-rotation nut
193A	1	Hand hole cover	28	1	Gasket
			28A	1	Bearing gasket

10MN C_V-12 12MN C_V-19 14MN C_V-16 16MN C_V-19 16MN C_V-33 20MN C_V-30
 12MN C_V-14 12MN C_V-24 14MN C_V-24 16MN C_V-25 20MN C_V-24 24MN C_V-28

Type pump structure diagram



Stationary parts			Stationary parts		
No.	Quantity	Name	No.	Quantity	Name
1	1	Pump body	GA	2	Gasket
9	5 laps	Packing	GP	1	Paper pad
13	2	Packing ring	GR	1	Rubber pad
15	1	Packing gland	GR-A	1	Rubber pad
19	1	Bearing cover (outer)	Rotor parts		
23	1	Bearing cover (inner)	No.	Quantity	Name
35	1	Inlet pipe (eccentric)	2	1	Shaft
37	1	Inlet pipe sealing ring	4	1	Impeller
59	1	Bearing frame	6	1	Thrust bearing
67	1	Stuffing box frame	8	1	Rolling bearing
79	1	O-ring	10	1	Shaft sleeve
85	2	Oil cup	12	1	Impeller seal ring
85A	1	Cooling water injection	12A	1	Impeller seal ring
85A	1	Cooling water injection	16	1	Impeller nut
93	1	Oil seal	22	1	Water retaining ring
133	2	Adjusting gasket	22A	1	Shaft seal (inner)
133A	2	Adjusting bolt	22B	1	Shaft seal (outer)
159	1	Oil seal ring (inner)	24	1	Anti-rotation nut
159A	1	Oil seal ring (outer)	28	1	Gasket
193	1	Hand hole cover	28A	1	Bearing gasket
193A	1	Hand hole cover			