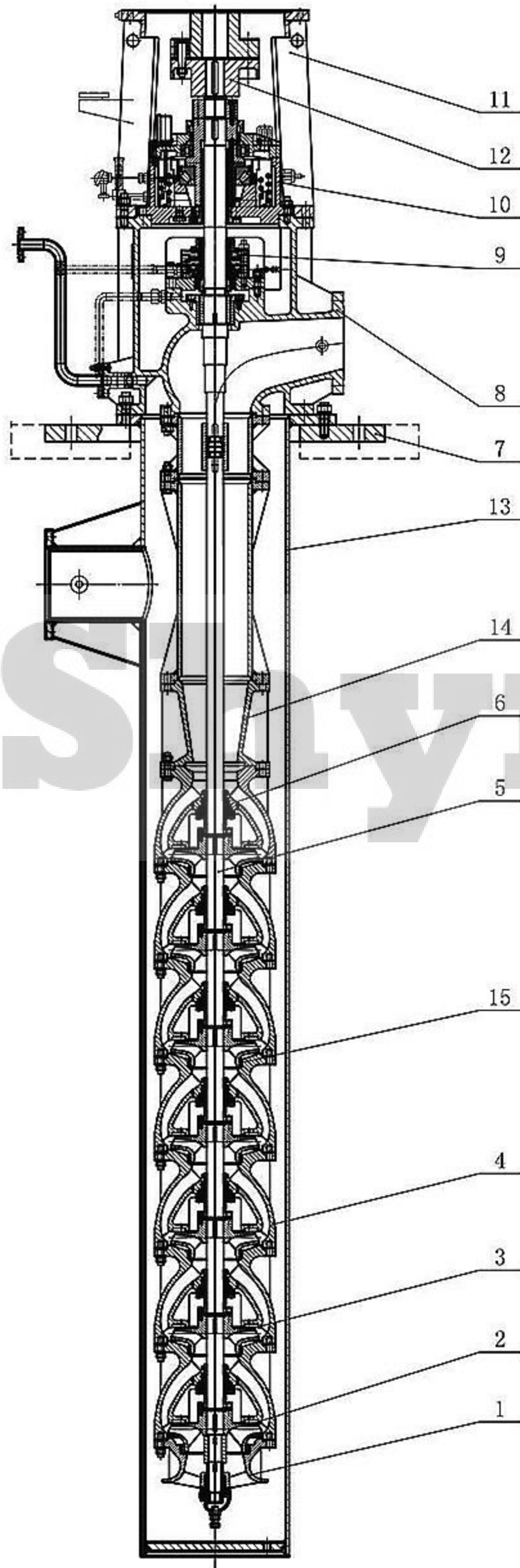


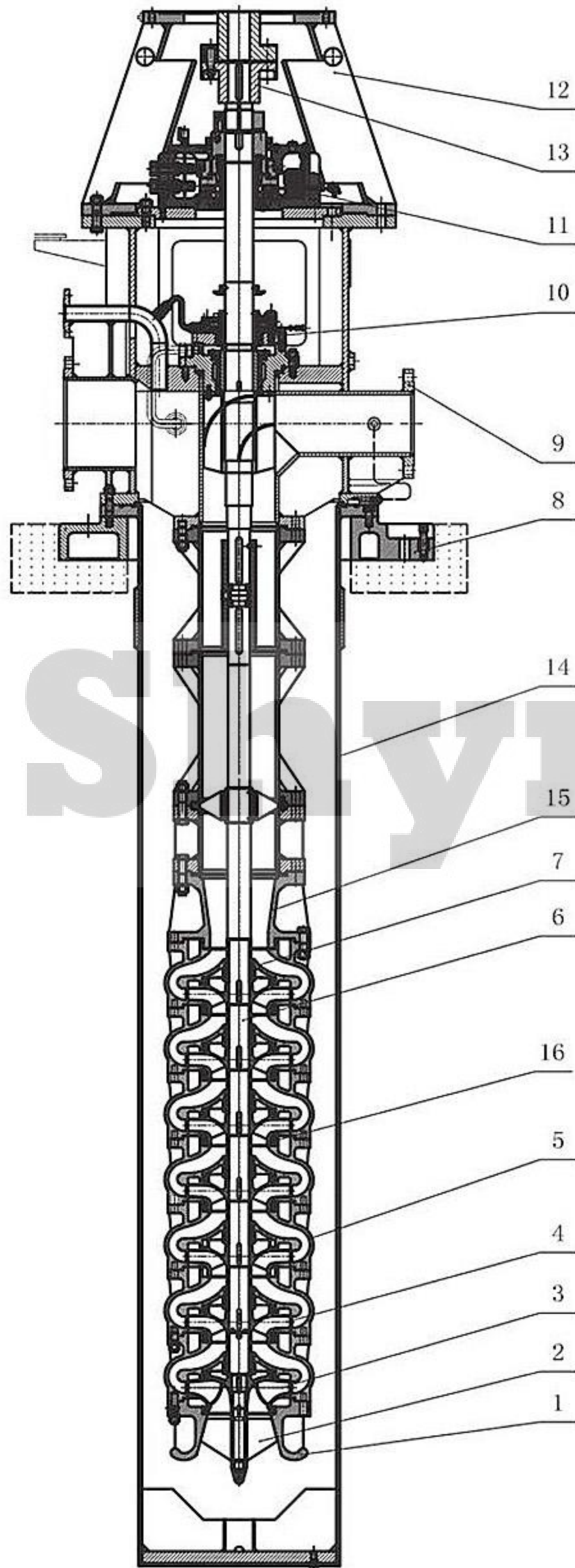
Sectional Drawing
 NL0150-250, NL0150-220



NO. Part designation

- | | |
|-----|------------------------|
| 1. | Bellmouth |
| 2. | Suction stage impeller |
| 3. | Impeller |
| 4. | Diffuser |
| 5. | Shaft |
| 6. | Bearing bush |
| 7. | Pump stool |
| 8. | Distributor casing |
| 9. | Mechanical seal |
| 10. | Thrust bearing part |
| 11. | Motor stool |
| 12. | Pump coupling |
| 13. | Can |
| 14. | Taper piece |
| 15. | Casing wear ring |

Sectional Drawing
 NL0200-250, NL0200-300, NL0200-320, NL0200-360

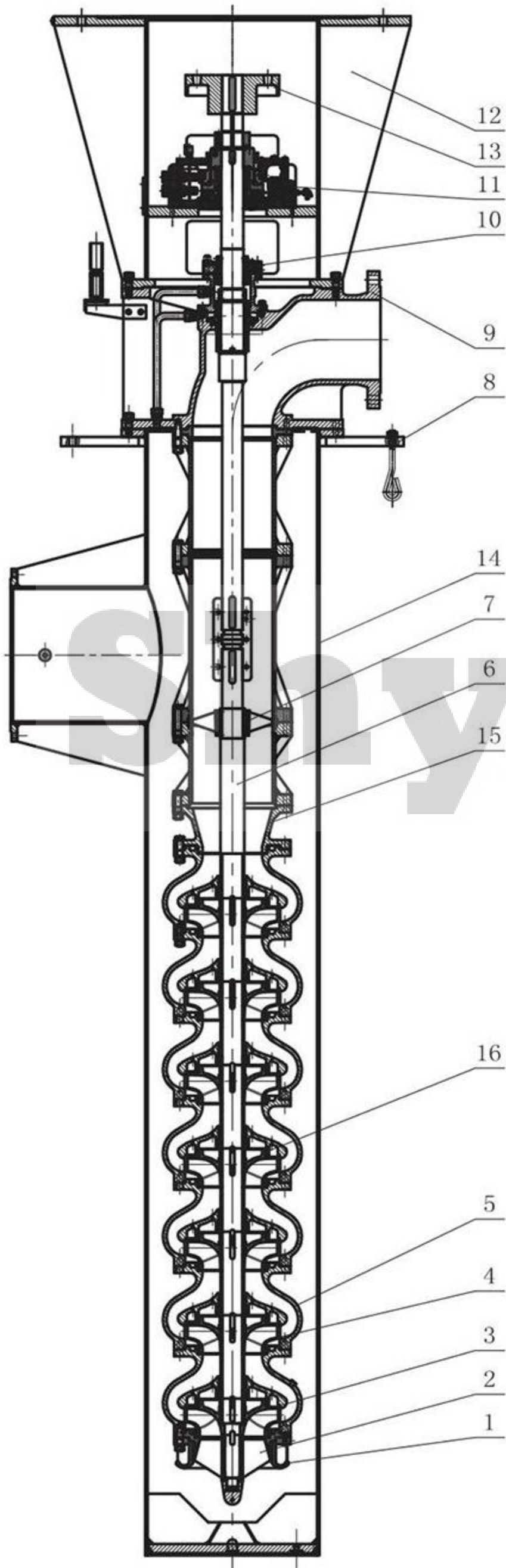


NO. Part designation

- | | |
|-----|------------------------|
| 1. | Bellmouth |
| 2. | Inducer |
| 3. | Suction stage impeller |
| 4. | Impeller |
| 5. | Diffuser |
| 6. | Shaft |
| 7. | Bearing bush |
| 8. | Pump stool |
| 9. | Distributor casing |
| 10. | Mechanical seal |
| 11. | Trust bearing part |
| 12. | Motor stool |
| 13. | Pump casing |
| 14. | Can |
| 15. | Taper piece |
| 16. | Casing wear ring |

Sectional Drawing rawing

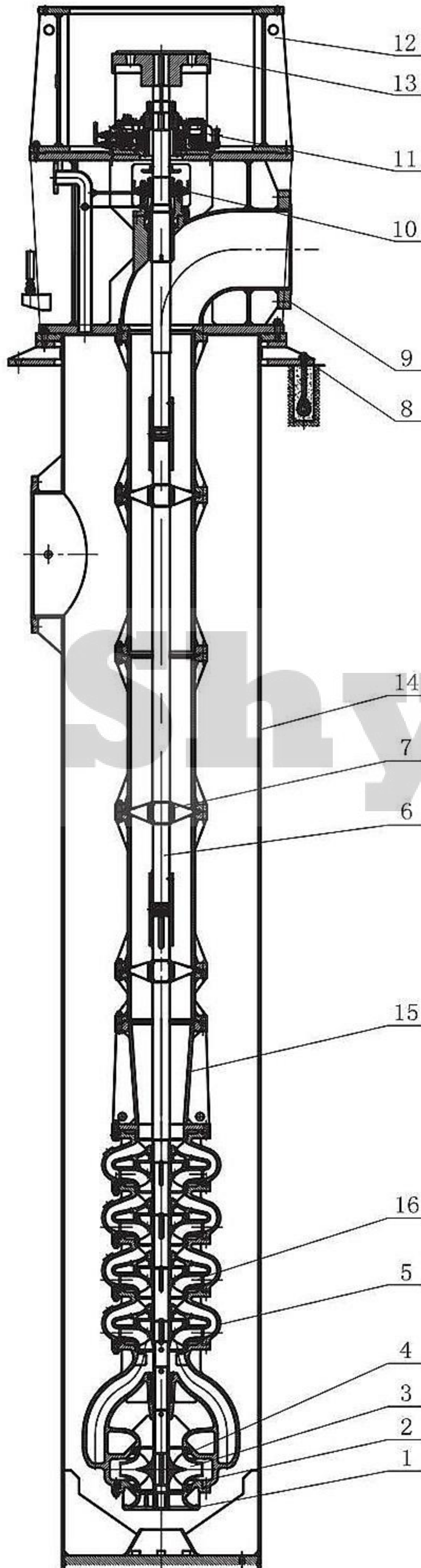
NL0250-370, NL0250-370 (I), NL0300-400, NL0350-400 (I), NL0350-430



NO. Part designation

- | | |
|-----|------------------------|
| 1. | Bellmouth |
| 2. | Inducer |
| 3. | Suction stage impeller |
| 4. | Impeller |
| 5. | Diffuser |
| 6. | Shaft |
| 7. | Bearing bush |
| 8. | Pump stool |
| 9. | Distributor casing |
| 10. | Mechanical seal |
| 11. | Trust bearing part |
| 12. | Motor stool |
| 13. | Pump coupling |
| 14. | Can |
| 15. | Taper piece |
| 16. | Casing wear ring |

Sectional Drawing
 NL0400-500, NL0500-570, NL0500-600



NO.	Part designation
1.	Bellmouth
2.	Defuser device
3.	Double entry impeller
4.	Casing wear ring
5.	Diffuser
6.	Shaft
7.	Bearing bush
8.	Pump stool
9.	Distributor casing
10.	Mechanical seal
11.	Thrust bearing part
12.	Motor stool
13.	Pump coupling
14.	Can
15.	Taper piece
16.	Impeller