



Club Car DS Heavy Duty Leaf Spring U Bolt+ Nuts Installation Instruction

We are striving to build an reliable brand of golf carts parts and accessories.

Hope this manual can assist you to easier install.

For more technical support, please reach us via

Website : www.10101.com

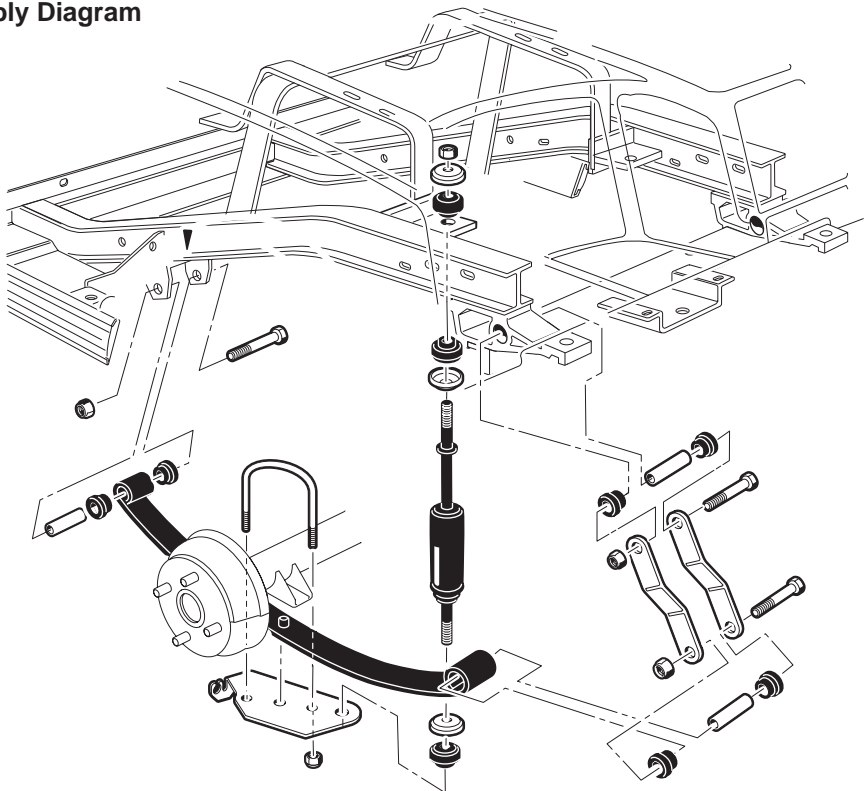
Email : sale_service@10101.com

Facebook : zhong zaiyang

Youtube : 10L0L

| Contents | Qty | Installation Tools | Qty |
|------------------------------------|-----|-------------------------------|-----|
| Heavy Duty Leaf Spring U Bolt..... | 2 | 9/16-inch (14mm) spanner..... | 1 |
| Nut..... | 4 | 3/4-inch (19mm) socket..... | 1 |
| (See figure 1) | | Jack..... | 1 |

Assembly Diagram



Installation Tools



Installation Steps

1. Park the vehicle on level ground.
2. Turn the key to “OFF” position and remove it from the switch.
3. Make sure the parking brake is set.
4. Loosen the screws of the rear tire with the 3/4-inch (19mm) socket.

(See figure 2)
5. Raise the frame of the rear suspension with the jack to hang the rear tire in the air.

(See figure 3)



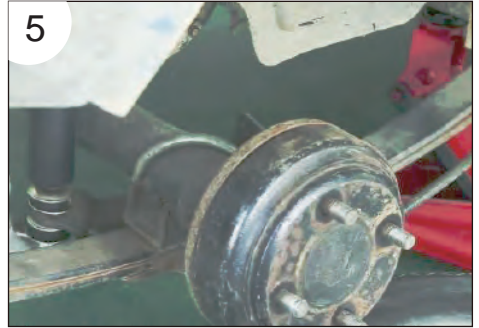
6. Remove the screws of the rear tire with the 3/4-inch (19mm) socket, and remove the rear tire; then put the tire under the chassis (in case the jack accidentally leans or slips down)

(See figure 4)



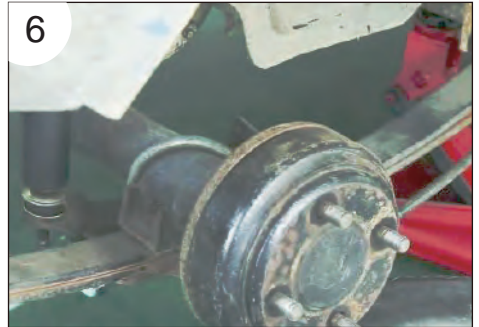
7. Remove the screw of shock absorber lower terminal with the 9/16-inch (14mm) spanner.

(See figure 5)



8. Remove the shock absorber lower terminal cushions.

(See figure 6)



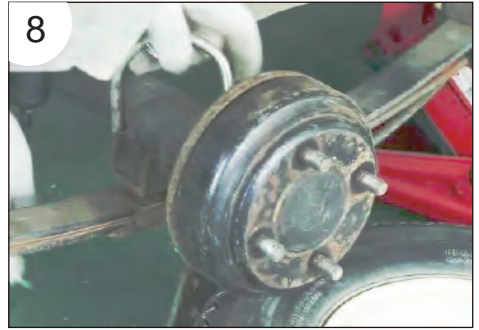
9. Loosen the U bolt nuts with the 9/16-inch (14mm) spanner, then remove the U bolt.

(See figure 7)



10. Install a new U bolt.

(See figure 8)



11. Install the spring pad.

(See figure 9)



12. Install the screws on the lower terminal of the rear shock absorber with the 9/16-inch (14mm) spanner.

(See figure 10)



13. Install the rear wheel.

(See figure 11)

This all completes your installation.

