



Club Car DS Forward & Reverse Buzzer Installation Instruction

We are striving to build an reliable brand of golf carts parts and accessories.

Hope this manual can assist you to easier install.

For more technical support, please reach us via

Website : www.10LOL.com

Email : sale_service@10LOL.com

Facebook : zhong zaiyang

Youtube : 10LOL

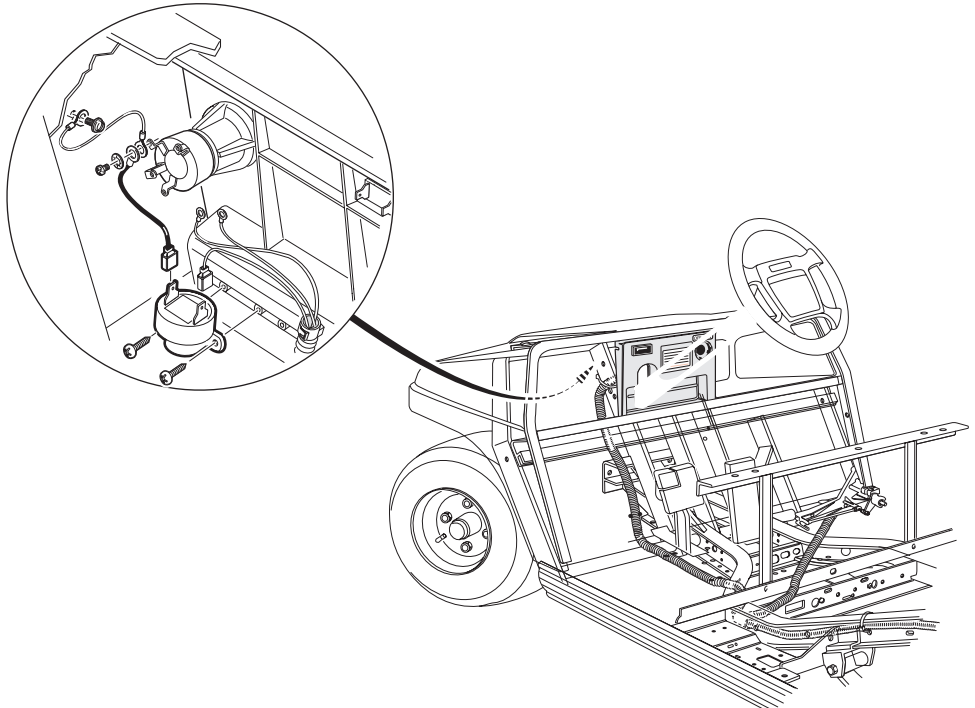


Scan To Get
Installation Video

Contents	Qty	Installation Tools	Qty
DS Forward & Reverse Buzzer.....	1	Cross screwdriver.....	1

(See figure 1)

Assembly Diagram



Installation Steps

1. Park the vehicle on level ground.
2. Turn the key to “OFF” position and remove it from the switch.
3. Make sure the parking brake is set.
4. Remove the screws on the instrument panel with the cross screwdriver.

(See figure 2)
5. Disconnect 2 wires of the reverse buzzer.

(See figure 3)

Installation Tools



Cross Screwdriver

1



2

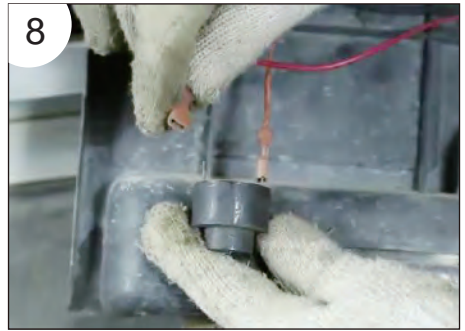


3



10. Connect the wires of the reverse buzzer.

(See figure 8)



11. Install the instrument panel, and tighten 2 screws on the instrument panel with a cross screwdriver.

(See figure 9)



This completes the installation.

6. Remove 2 screws on the reverse buzzer with a cross screwdriver.

(See figure 4)



7. Remove the reverse buzzer.

(See figure 5)



8. Install the new reverse buzzer.

(See figure 6)



9. Install 2 screws on the reverse buzzer with a cross screwdriver.

(See figure 7)





Club Car DS Forward & Reverse Buzzer Installation Instruction

We are striving to build a reliable brand of golf carts parts and accessories.

Hope this manual can assist you to easier install.

For more technical support, please reach us via

Website : www.10LOL.com

Email : sale_service@10LOL.com

Facebook : zhong zaiyang

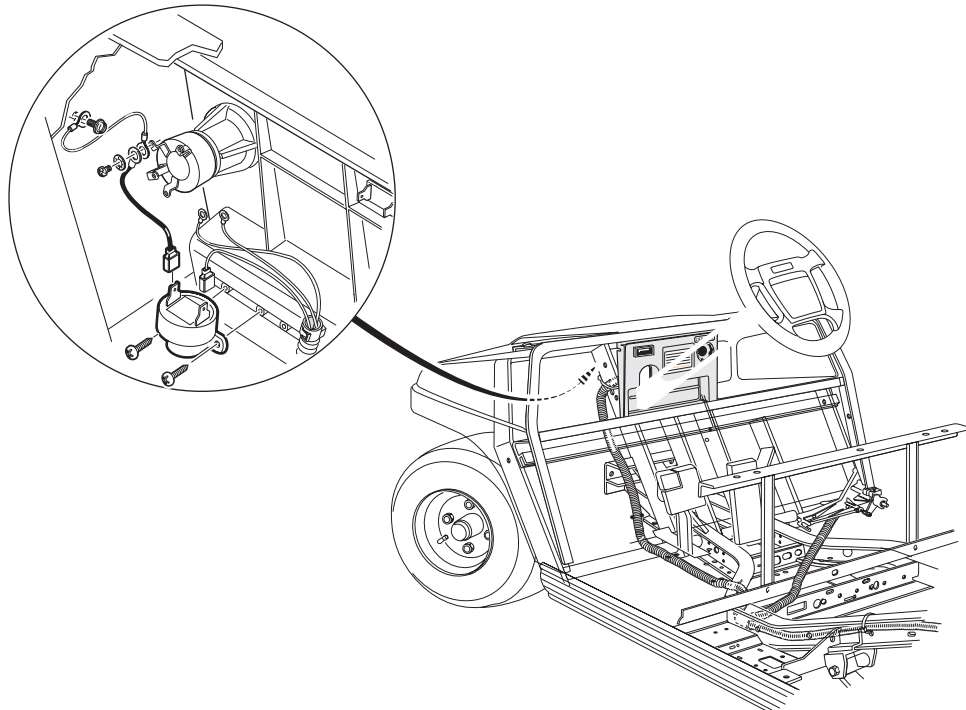
Youtube : 10LOL



Scan To Get Installation Video

Contents	Qty	Installation Tools	Qty
DS Forward & Reverse Buzzer.....1 (See figure 1)		Cross screwdriver.....1	

Assembly Diagram



Installation Steps

1. Park the vehicle on level ground.

2. Turn the key to "OFF" position and remove it from the switch.

3. Make sure the parking brake is set.

4. Remove the screws on the instrument panel with the cross screwdriver.

(See figure 2)

5. Disconnect 2 wires of the reverse buzzer.

(See figure 3)

Installation Tools



Cross Screwdriver



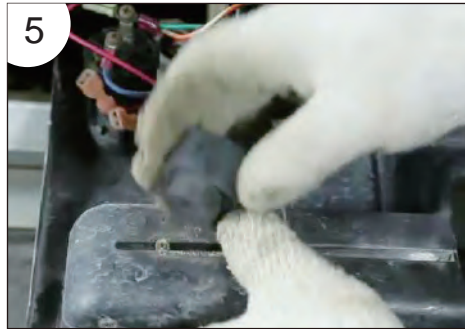
6. Remove 2 screws on the reverse buzzer with a cross screwdriver.

(See figure 4)



7. Remove the reverse buzzer.

(See figure 5)



8. Install the new reverse buzzer.

(See figure 6)



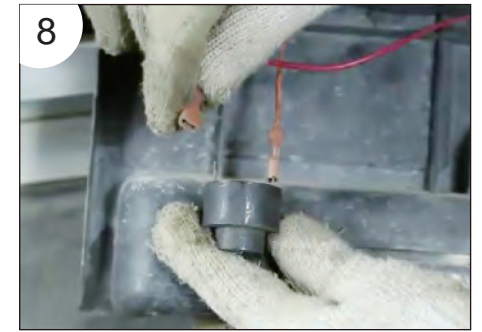
9. Install 2 screws on the reverse buzzer with a cross screwdriver.

(See figure 7)



10. Connect the wires of the reverse buzzer.

(See figure 8)



11. Install the instrument panel, and tighten 2 screws on the instrument panel with a cross screwdriver.

(See figure 9)



This completes the installation.