



Club Car DS Steering Gear Box Assembly Installation Instruction

We are striving to build an reliable brand of golf carts parts and accessories.

Hope this manual can assist you to easier install.

For more technical support, please reach us via

Website : www.10101.com

Email : sale_service@10101.com

Facebook : zhong zaiyang

Youtube : 10L0L



Scan To Get Installation Video

Contents

Club Car DS Steering Gear Box Assembly...1
(See figure 1)

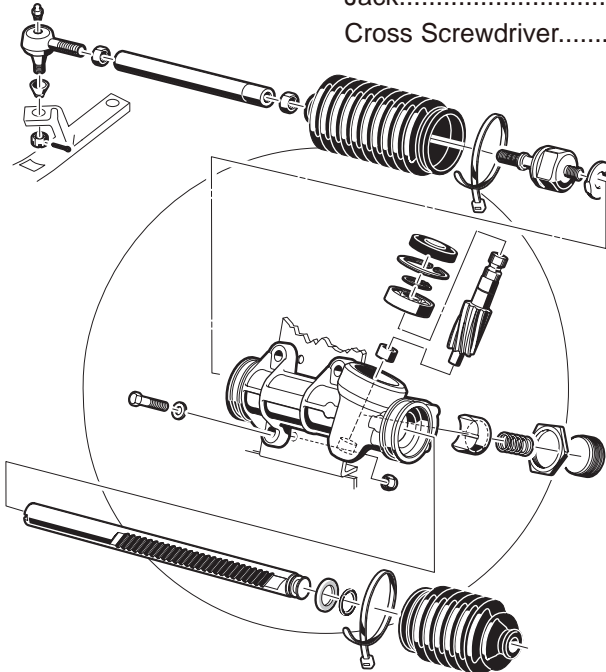
Qty

Installation Tools

Qty

7/16-inch (11mm) Spanner.....	2
1/2-inch (13mm) Spanner.....	1
9/16-inch (14mm) Spanner.....	2
3/4-inch (19mm) socket.....	1
Slotted Screwdriver.....	1
Long Flat Nose Pliers.....	1
Jack.....	1
Cross Screwdriver.....	1

Assembly Diagram



Installation Tools



Installation Steps

1. Park the vehicle on level ground.
2. Turn the key to “OFF” position and remove it from the switch.
3. Make sure the parking brake is set.
4. Remove the screws of the 2 front wheels with the 3/4-inch (19mm) socket.

(See figure 2)



5. Raise the spring pad of the front leaf spring with the jack to hang the 2 front wheels in the air.

(See figure 3)



6. Remove the 2 front wheels; then put the wheels under the chassis (in case the jack accidentally leans or slips down)

(See figure 4)



7. Remove the screw on the lower end of the steering joint with a 1/2-inch (13mm) spanner.

(See figure 5)



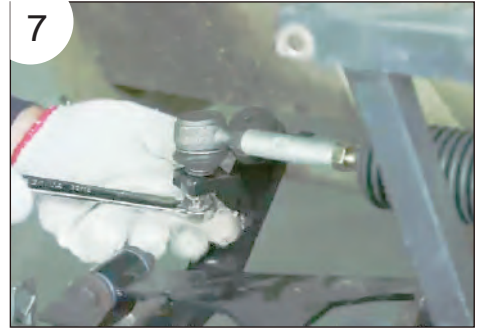
8. Remove the cotter pin of the drag link ball joint with long flat nose pliers.

(See figure 6)



9. Remove the nut of the drag link ball joint with a 9/16-inch (14mm) spanner.

(See figure 7)



10. Remove the screws of the Steering Gear Box Assembly with two 9/16-inch (14mm) spanners, and remove the Steering Gear Box Assembly.

(See figure 8)



11. Install a new Steering Gear Box Assembly.

(See figure 9)



12. Install the screw on the lower end of the steering joint with a 1/2-inch (13mm) spanner.

(See figure 10)



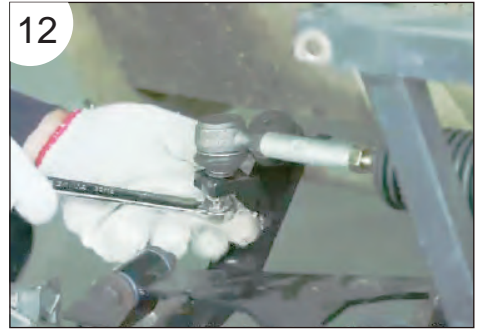
13. Install the screws of the Steering Gear Box Assembly with two 9/16-inch (14mm) spanners.

(See figure 11)



14. Install the nut of the drag link ball joint with a 9/16-inch (14mm) spanner.

(See figure 12)



15. Install the cotter pin of the drag link ball joint with a long flat nose pliers.

(See figure 13)



16. Install the right front wheel.

(See figure 14)



This all completes your installation.